

SOFT EDGE 10 BAR STOOL

DESIGN BY ISKOS-BERLIN



Iskos-Berlin's Soft Edge series features an organically shaped seat and back seat, blending strong curves with extreme lightness to create a three-dimensionality that is not normally possible with 2D plywood. The result is a minimalistic design that optimises human-centric comfort for constant shifting and movement. Featuring a wooden seat and back in a range of different finishes, the Soft Edge 10 bar stool has long steel legs that enhance the minimalistic aesthetics and create a feeling of lightness, while the low, supportive backrest enhances the bar stool's stability and comfort. Its strength and functionality ensure years of everyday use in a wide range of public and private environments – from corporate spaces and cafés to home environments. Available in two different heights and with upholstered seat options.

PRODUCT DETAILS

- / Part of a family of dining chairs, bar stools, lounge chairs and stools with steel base or solid oak legs or polypropylene seat and back with steel base.
- / Offers an ergonomic seating solution due to its increased level of back support.
- / 3-dimensional form based on the latest developments in moulded plywood technique using ordinary plywood.
- / Variety of seat and base colours and finishes.
- / Available with seat upholstery in selected fabrics and leathers.
- / Available in a low and a high version.
- / Suitable for a wide variety of private and public environments.
- / Qualified for contract use.
- / Stackable on floor up to 10 pcs. without upholstery.
- / Stackable on floor up to 6 pcs. with upholstery.

HAY

MATERIAL

SEAT & BACK / Moulded plywood seat and back with inner veneer in beech, top and bottom veneer in oak.

SEAT W. UPHOLSTERY / 10 mm PU foam.

BASE / Ø16 mm steel tube.

COLOUR & FINISH

Please note that the colour codes are indicative.

SEAT & BACK / Available in 8 different seat and back finishes.

- / Black water-based lacquered oak (RAL 9005)
- / Soft black water-based lacquered oak (RAL 9004)
- / Hunter water-based lacquered oak (NCS S 8010 B90G)
- / Fall red water-based lacquered oak (NCS S 6030 R)
- / Dusty green water-based lacquered oak (NCS S 6005 G20Y)
- / Soft grey water-based lacquered oak (NCS S 3500 N)
- / Smoked water-based lacquered oak
- / Water-based lacquered oak

BASE / Available in 4 different base finishes.

- / Black powder coated steel (Ral 9005)
- / Fall red powder coated steel (NCS 6030-R)
- / Soft grey powder coated steel (NCS 3500N)
- / Chromed steel

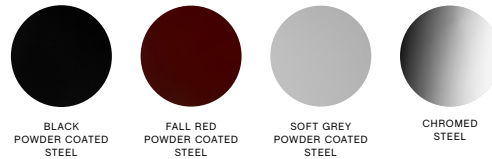
COMBINATIONS

SEAT & BACK	BASE			
	BLACK	FALL RED	SOFT GREY	CHROMED
BLACK	•			•
SOFT BLACK	•			•
HUNTER	•			•
FALL RED	•	•		•
DUSTY GREEN	•			•
SOFT GREY	•		•	•
SMOKED LACQUERED	•			•
WATER-BASED LACQUERED	•	•	•	•

SEAT & BACK FINISH



BASE FINISH



SOFT EDGE 10 BAR STOOL W. SEAT UPHOLSTERY

Available in a large selection of standard EU-Ecolabelled fabrics.

KVADRAT

- / Atlas
- / Remix
- / Surface by HAY
- / Steelcut
- / Steelcut Trio
- / Melange Nap
- / Divina
- / Divina MD
- / Divina Melange
- / Fiord
- / Re-wool
- / Canvas
- / Hallingdal
- / Lila
- / Raas
- / Vidar

CONSTRUCTION

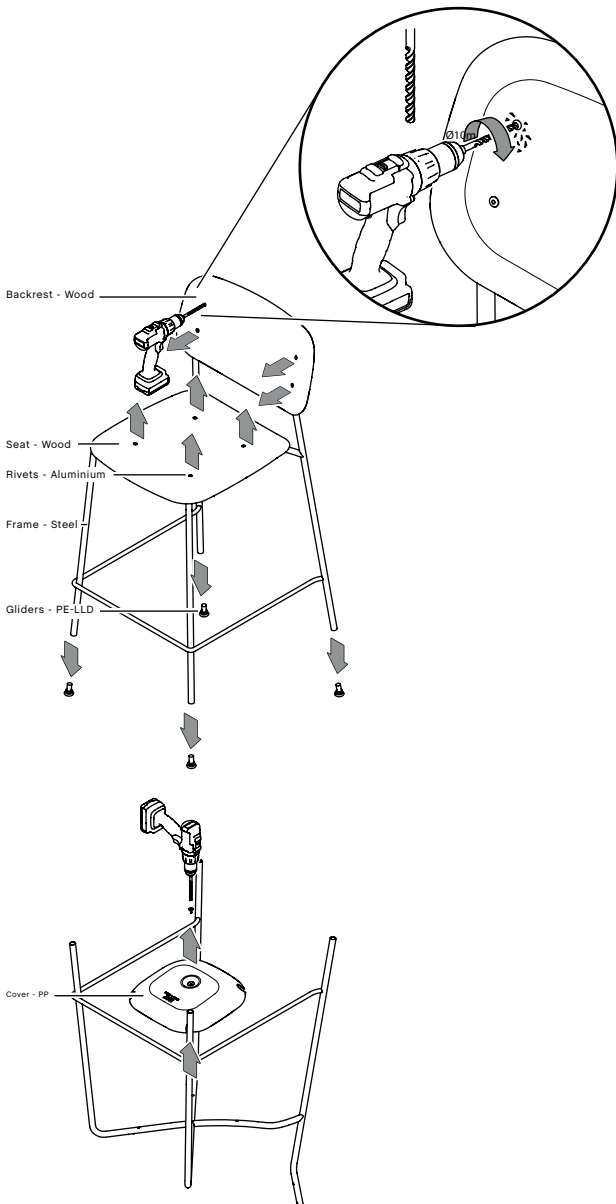
SEAT & BACK / 2D moulded plywood seat and back mounted to the frame with rivets. Inner plywood in beech, top veneer in oak.

BASE / Ø16 mm steel tube. Stacking pad in polypropylene mounted underneath the seat.

RECYLING & DISASSEMBLY WITHOUT UPHOLSTERY

Soft Edge 10 Bar Stool is designed to be a long-lasting furniture made to last for many years. The chair is 100% recyclable and all parts can be fully separated and recycled. All parts can be delivered to a suitable recycling facility.

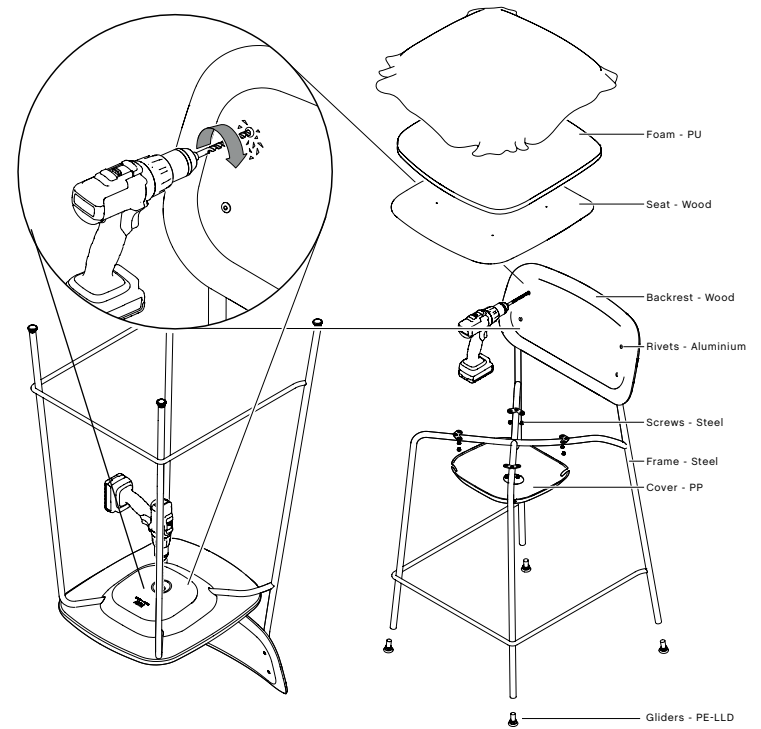
To disassemble the chair, use a power drill with at 10 mm drill bit to drill out the rivets holding the seat and backrest. Pull out the gliders from the legs. Then turn the chair upside down and drill out the rivet holding the cover.



RECYLING & DISASSEMBLY WITH UPHOLSTERY

Soft Edge 10 Bar Stool is designed to be a long-lasting furniture made to last for many years. The chair is 100% recyclable and all parts can be fully separated and recycled. All parts can be delivered to a suitable recycling facility.

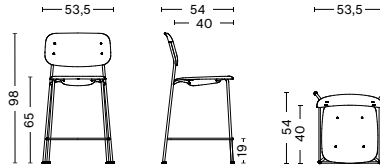
To disassemble the chair, use a power drill with at 10 mm drill bit to drill out the rivet holding the plastic cover underneath the seat. Then remove the screws holding the seats. Drill the rivets holding the backrest. Separate the textile cover and foam from the seat.



DIMENSIONS

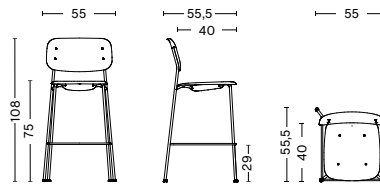
LOW

WIDTH / 53,5 cm / 21.1"
DEPTH / 54 cm / 21.3"
HEIGHT / 98 cm / 38.6"
SEAT HEIGHT / 65 cm / 25.6"
SEAT DEPTH / 40 cm / 15.7"



HIGH

WIDTH / 55 cm / 21.7"
DEPTH / 55,5 cm / 21.9"
HEIGHT / 108 cm / 42.5"
SEAT HEIGHT / 75 cm / 29.5"
SEAT DEPTH / 40 cm / 15.7"



GLIDERS

PLASTIC TRUMPET GLIDER / Standard on all. Suitable for most floorings which are not too sensitive.

FELT TRUMPET GLIDER / For wooden floors.

TESTS

EN 16139:2013 / Furniture - Strength, durability and safety - Requirements for non-domestic seating.

L2: Extreme use - Loading according to Test severity L2.

ANSI BIFMA X5.1-2017 / American National Standard For Office Furnishings - General Purpose Office Chairs - Tests, Type 3.

CERTIFICATES



The EU-Ecolabel is the official European ecolabel.



Made from FSC™-certified and other controlled materials.

WARRANTY

HAY provides a 5-year product warranty, which covers materials and workmanship on our furniture frame and upholstery. The warranty covers faults which were present at the time of purchase or which have occurred as a result of defects present at the time of purchase. The warranty period of 5 years is calculated from the date on the original invoice.

Spare parts are available throughout the 5 year warranty period.

CARE & MAINTENANCE

A general care guide with all materials is available at hay.com.

[Link to care and maintenance guideline.](#)

DOWNLOADS

Packshots and lifestyle photos, 2D / 3D files, care and maintenance, instructions, test certificates, product fact sheets, and product presentations are available in our Image Bank at hay.com.

[Link to downloads.](#)

HAY