

PRODUCT



Item no.: 001-0113X
+ style code

Don't polish the brass

DESCRIPTION

Bestlite has been in continuous production since 1930. Robert Dudley Best created Bestlite design. He was highly influenced by the Bauhaus. In the past 80 years, people appreciated the lamps and it decorates many homes, hotels and restaurants worldwide. Loved by architects, designers and design aficionados throughout its 80-year history, today, Bestlite enjoys global iconic status.

VERSION - BESTLITE TABLE LAMP BL1

Shade: Charcoalblack, Matt-White or Grey
Tube and arm: Brass with lacquered surface

Shade and base: Brass with lacquered surface
Tube and arm: Brass with lacquered surface

RAL codes are indicative.

- Fabric wire - Black:
- Charcoal black/Brass / White inside // RAL 9011 / RAL 9003 // Gloss level 20 / Gloss level 20
- Grey w/Brass / White inside // RAL 2604005 / RAL 9003 // Gloss level 30 / Gloss level 20
- Brass w/Brass / White inside // - / RAL 9003 // - / Gloss level 20

- Fabric wire - Off-White:
- Matt-White w/Brass / White inside // RAL 9003 / RAL 9003 // Gloss level 20 / Gloss level 20

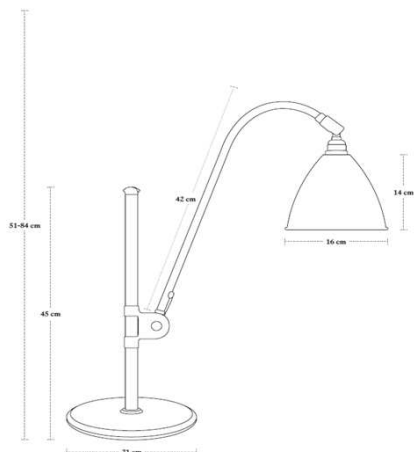
Please contact us for other colours or finishes.

VERSION

Order item - look for part number in the pricelist.

Series contains the following:

BL1, BL2



COLOURS



// Charcoal black / Brass



// Grey / Brass



// Matt-White / Brass



// All Brass

FACTS

MEASUREMENT - L X W X H MM

Lamp height: 510-840 mm
Lamp stand: Ø210 mm
Shade height: 140 mm
Shade diameter: Ø160 mm
Cord - total length w/sw: App. 2500 mm
Cord - exposed out of lamp: App. 2000 mm

WEIGHT ITEM - LAMP INCL. WIRE
3368 g

PACKAGING TYPE
White cardboard box w/ 5ply corrugated

PACKAGING MEASUREMENT - L X W X H CM
L:39 x W:62 x H:25 cm

WEIGHT PACKAGING - MATERIAL TYPE

- Paper Egg crate: 1106 g
- PE polybag: 100 g
- Bestlite key: 18 g
- PE polybag: 1 g
- Cardboard outside: 799 g
- Cardboard top: 85 g

WEIGHT PACKAGING - TOTAL
5477 g

NUMBER OF PARCELS
1 pcs.

LIGHT SOURCE:

- Socket: E14 base
- Recommended light source: *All fluorescens light bulbs*
- Recommended wattage: 9 W = (40 WATT incandescent bulbs)
- Max wattage: 13 W

- Recommended light source: *Halogen light bulb*
- Recommended wattage: 28 W = (40 WATT incandescent bulbs)
- *It is possible to install with light dimmer*

- *All lamps can be fitted with a dimmer.*
Please contact your local electrician.

- *Lightbulb not included*

CLEANING AND MAINTENANCE

Use a soft damp cloth when cleaning your Bestlite lamp. Do not use household cleaners.

ACCESSORIES

Item no.: 001-99058A plug EU

ENVIRONMENT

-

TESTS

Class II IP20
BS EN 60598-2-4:1998 with BS EN 60598-1:2000

CERTIFICATION AND LABELS

CE-CERTIFIED

STANDARD

STOCK - BL1: Table lamp

- Euro plug: Type C, 2 PIN, 2,5 amp
- Euro voltage: 230 V
- Frequency: 50 Hz
- Supply voltage: AC power ~
- Normally Closed IP20



Class II / Double insulated



CE-Mark



Luminaires accepted for mounting on a flammable base



KOMPONENTS

Item no.: 001-0113X

- 01 // Shade
- 05 // Lamp holder
- 10 // Insulating ring
- 11 // Internal shade ring
- 12 // External shade ring
- 13 // Lamp holder cover
- 15 // Universal joint
- 16 // Bestlite arm
- 18 // Bestlite clip
- 19 // Bestlite nut
- 20 // Bestlite bolt
- 21 // Tension spring
- 22 // Fibre washer
- 23 // Cord grip
- 24 // Cord grip cover
- 25 // Acetate
- 26 // Top knob
- 28 // Tube
- 31 // Collar
- 33 // Base cover
- 36 // Feltac
- 38 // Textile covered cord
- 40 // Switch
- 14 // Bestlite key
- 58 // Plug

MATERIAL

Shade and base: Powder coated aluminium
Tube and arm: Brass with lacquered surface
Textile covered cord

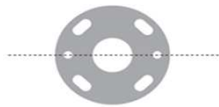
Shade and base: Brass with lacquered surface
Tube and arm: Brass with lacquered surface
Textile covered cord

INSTALLATION INSTRUCTIONS

The Bestlite key:

It's a practical tool that enables you to fasten the lamp arm. Simply use it like a screwdriver in the slot in the Bestlite nut.

1:1 rendering for presentation
Not for use as a model. Dimensions and appearance are shown for information only. Do not use for reproduction.



Technical information:

Light source: E14 or E27 incandescent or LED halogen bulb.
Not power of when changing light bulb.
Not dimmable. Not approved for outdoor use or use in damp/hot rooms.

Some advice on cleaning your Bestlite:
Powder coated parts - Base, bracket and shade:
Wipe the parts with a damp cloth. Do not use water spray or any other detergent.

Chrome plated parts:
Wipe the lamp with a damp cloth and when dry, buff up to shine.
If the surface is scratched or discoloured, polish with a soft cloth.

Use only soft cloth for wiping and polishing, never sponges or other wool.
Do not use abrasive household cleaners.
Do not use water or other cleaning products, glass cleaner or household products.



Do not breathe in dust.
Components of your Bestlite
may contain substances that are not
intended for use as food or for contact
with food. Do not use the lamp for
storage of food or other items.
Do not use the lamp for storage of
medicines or other substances.
Do not use the lamp for storage of
liquids or other substances.

BESTLITE
BESTLITE
BESTLITE

BESTLITE - GUBI (B&B) A/S, 10000, Copenhagen, Denmark - www.bestlite.com

