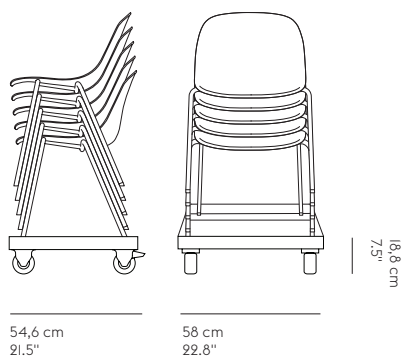


# FIBER SIDE CHAIR – A-BASE TROLLEY

TROLLEY FOR MOVING AND STORING FIBER A-BASE CHAIRS



54,6 cm  
21.5"

58 cm  
22.8"

18,8 cm  
7.5"

## YEAR OF DESIGN

2016

## CATEGORY

Trolley for moving and storing Fiber A-base chairs.

## ENVIRONMENT

Indoor

## COUNTRY OF PRODUCTION

Poland

## PREASSEMBLED

Yes

## DESCRIPTION

Frame is constructed of 6 mm flat steel which ensures a strong construction. The wheels from Tente ensures easy manouvering and can lock.

The trolley has a fixture which secures the position of the chairs on the trolley.

The trolley can withstand a weight of 400 kg. We recommend a maximum of 15 chairs.

## PRODUCTION PROCESS

Raw steel is cut and welded together using TIG-welding. The steel is powder coated. Lastly, high quality wheels from Tente are installed.

## MATERIAL

6 mm powder coated flat steel. High quality wheels from Tente.

## WEIGHT

20,5 kg

## COLOR / REF. CODE

Black

## CLEANING AND CARE

Wipe clean with a damp cloth.