

## GRÄSHOPPA //TABLE LAMP, EU MODEL

GROSSMAN COLLECTION

Designed by Greta Grossman

### PRODUCT



### COLORS



### DESCRIPTION

The iconic Gräshoppa table lamp was first produced in 1948. The tubular brass stand is mounted on a brass base whilst the elongated conical steel shade is mounted with a moveable joint in solid brass, consequently the light can be directional, yet the glare is minimal. The shade is powder-coated and available in 4 colours. Switch integrated in the base.

### VERSION - GRÄSHOPPA TASK LAMP

RAL codes are indicative.

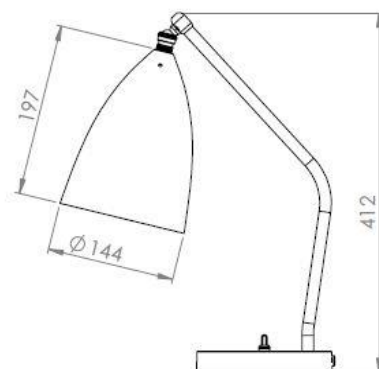
- Fabric wire - Golden:
- Jet Black / White inside // RAL 9005 / RAL 9003 // Gloss level 20 / Gloss level 20
- Anthracite grey / White inside // RAL 7016 / RAL 9003 // Gloss level 20 / Gloss level 20
- Blue grey / White inside // RAL 160 60 05 / RAL 9003 // Gloss level 20 / Gloss level 20
- Matt white / White inside // RAL 9003 / RAL 9003 // Gloss level 20 / Gloss level 20
- Vintage red / White inside // RAL 3012 / RAL 9003 // Gloss level 20 / Gloss level 20
- Andorra red / White inside // RAL 020 30 20 / RAL 9003 // Gloss level 17 / Gloss level 20
- Oyster white/ White inside // RAL 1013 / RAL 9003 // Gloss level 17 / Gloss level 20

### VERSION

Order item - look for part number in the pricelist.

Series contains the following:

- GM1 GRÄSHOPPA**
- GM2 COBRA TABLE**
- GM3 COBRA FLOOR**
- GRÄSHOPPA TABLE LAMP**
- GRÄSHOPPA PENDANT**
- COBRA WALL LAMP**



### FACTS

#### MATERIAL

Shade: Powder-coated steel  
 Stand: Brass tube Ø 12,7 mm  
 Base: Cover in brass, inside counterweight in steel

#### MEASUREMENT - L x W x H mm

Lamp height: 412 mm  
 Lamp base: Ø150 mm  
 Shade height: 197 mm  
 Shade diameter: Ø144 mm  
 Cable length, exposed: Approx. 2500 mm

#### WEIGHT ITEM - LAMP INCL. WIRE

2208 g

#### PACKAGING TYPE

Cardboard box

#### PACKAGING MEASUREMENT - L x W x H cm

L: 46 x W: 42 x H: 25 cm

#### WEIGHT PACKAGING - MATERIAL TYPE (recycleable)

- Delivery note: 10 g
- LD-EPE foam: 205 g
- EPE bag: 10 g
- PE polybag: 6 g
- Cardboard inside: 265 g
- Cardboard outside, 5ply Corrugated: 1096 g

#### WEIGHT INCL. PACKAGING - TOTAL

3820 g

#### NUMBER OF PARCELS

1 pcs.

## ACCESSORIES

---

-

## ENVIRONMENT

---

-

## TESTS

---

-

## CERTIFICATION AND LABELS

---

CE-CERTIFIED

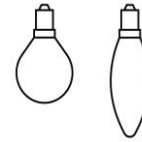
## SAFETY INSTRUCTIONS

---

If the cord or plug is damaged, unplug it from the socket with dry hands. Do not use the lamp until it is

### LIGHT SOURCE:

- Socket: E14 base
- Bulb types recommended:



- Recommended light sources:

If LED is chosen, only dimmable versions work.

470 Lumen (~ 40W incandescent ~  
30W halogen ~ 4-6W LED)

- Max. light out put for above lamps:

470 Lumen (~ 40W incandescent ~  
30W halogen ~ 4-6W LED)

- Best result is achieved with frosted light bulbs  
with a CRI (Colour Rendering Index) larger than 90.
- Lightbulb not included.

\*Euro plug: Type C, 2 PIN, 2,5 amp

\*Euro voltage: 230 V

\*Frequency: 50 Hz

\*Supply voltage: AC power ~

\*Normally Closed: IP20



Class II / Double insulated CE-Mark



Luminaires accepted for mounting on a flammable base