

KAI

Shin Azumi | 2006



KAI

Shin Azumi | 2006

In Japanese "KAI" means shell. And like a shell that opens and reveals its very soft interior, this chair perfectly adapts to the body. Thanks to a fold in the backrest, it provides support or comfort. With its minimalist design, it has a versatile and strong personality.



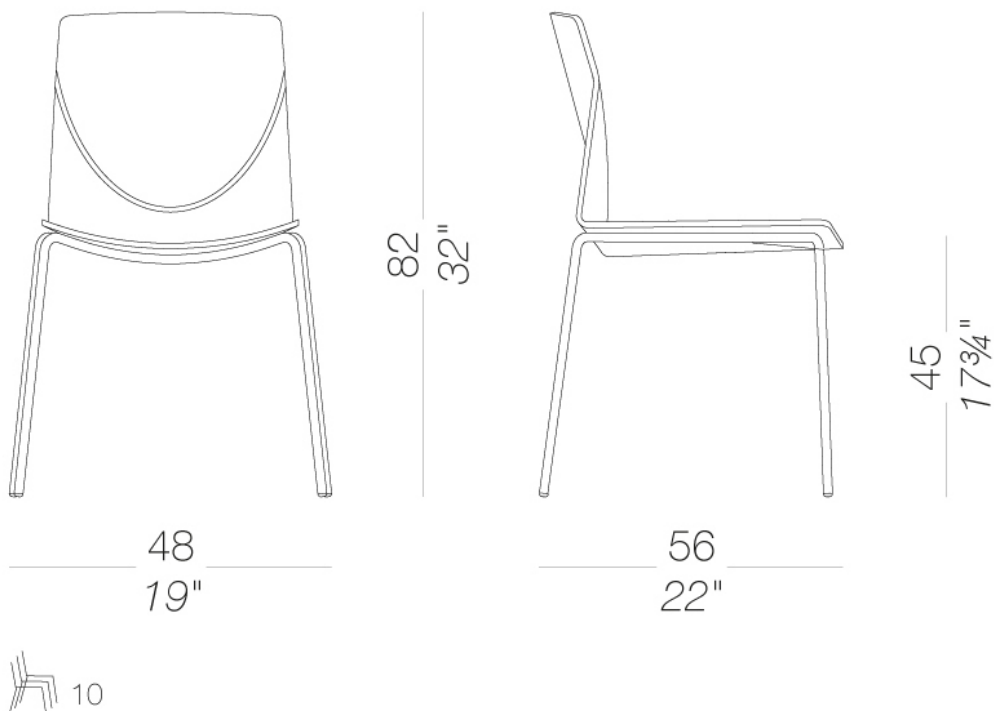
KAI

Shin Azumi | 2006

| S38 stackable chair in wood or fabric

Stackable chair with base in sandblasted stainless steel Aisi 304. The curved plywood seat is available in several finishes, with seat pad in leather on request or fully upholstered in fabric. We suggest to put a protection on the seat pad when stacked. Glides in nylon with felt. It is complemented by a height adjustable swivel stool.

TEST EN 1728:2000 6.7 - UNI 10977/2002 - L4



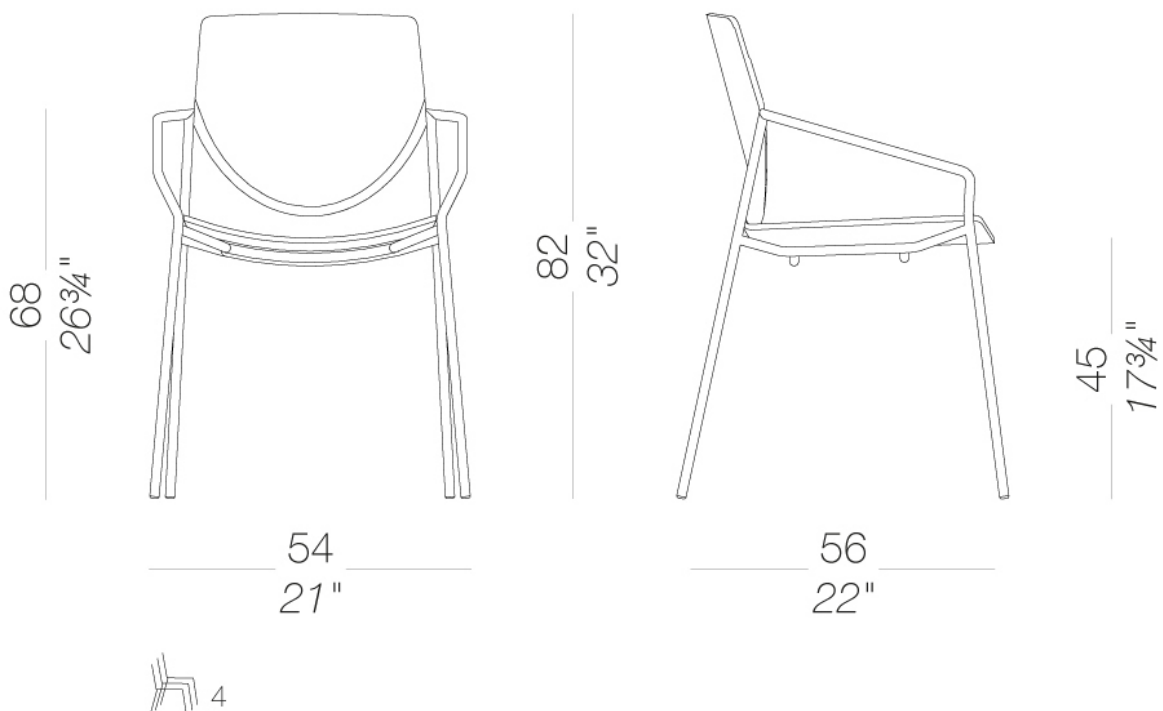
KAI

Shin Azumi | 2006

| S38P stackable chair with armrests

Stackable armchair with base in sandblasted stainless steel Aisi 304. The curved plywood seat is available in several finishes, with seat pad in leather on request or totally upholstered in fabric. We suggest to put a protection on the seat pad when stacked. Glides in nylon with felt. It is complemented by a height adjustable swivel stool.

TEST EN 1728:2000 6.7 - UNI 10977/2002 - L4



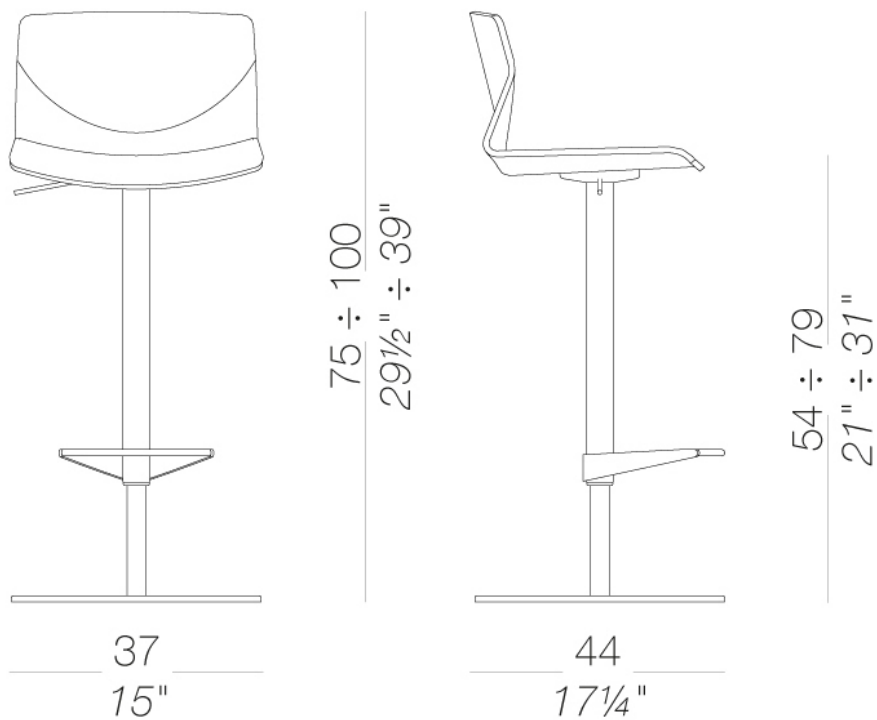
KAI

Shin Azumi | 2006

| S39 height-adjustable bar stool H54 ÷ 79

Stool with swivel seat and adjustable height. Frame in sandblasted stainless steel Aisi 304 and round base in steel with « linen fabric » pattern or completely powder coated white or black. Seat in moulded plywood in several finishes, also with seat-pad in soft-leather or fully upholstered in fabric or leather. Felt under the base.

TEST EN 15373:2007 - EN 15373:2007 - L3 severe
TEST 1 IM - Leather



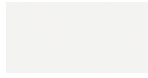
frame



powder coating
black
1 Colors



metal
stainless steel
1 Colors

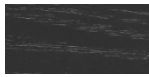


powder coating
white
1 Colors

shell



wood
blanch oak
1 Colors



wood
black open pore
1 Colors

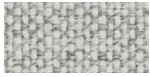


wood
oak dark walnut
1 Colors



lacquered
white lacquered
1 Colors

upholstery



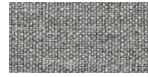
fabric
Hallingdal 65
47 Colors



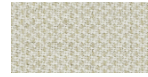
fabric
Canvas 2
40 Colors



fabric
Steelcut Trio 3
48 Colors



fabric
Remix 3
24 Colors



fabric
Clara 2
24 Colors



fabric
Fiord 2
24 Colors



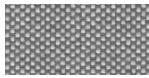
fabric
Divina MD
24 Colors



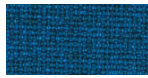
fabric
Divina Melange 3
38 Colors



fabric
Tonica 2
39 Colors



fabric
Maya
43 Colors



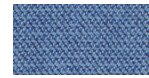
fabric
Medley
37 Colors



fabric
Jet
44 Colors



fabric
Lapalma Smart
18 Colors



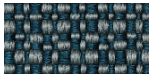
fabric
Capture
43 Colors



fabric
Crisp
40 Colors



fabric
Nattè
23 Colors



fabric
Iris
24 Colors



fabric
Steelcut 2
37 Colors



ecoleather
GRIMM FR
24 Colors



ecoleather
Valencia c5
59 Colors



leather
leather
7 Colors

cushion



soft-leather
soft-leather
7 Colors

consult the portfolio for the range of colors, fabrics, eco-leather, soft-leather.

use and maintenance instructions

Clean all parts in wood, leather, fabric and metal with a damp cloth or a diluted neutral cleaner. Do not use cleaners with alcohol, bleach, solvent or abrasive products. Any liquid spilt on the product must be wiped up immediately. When lifting or moving the product, hold it on the structure and not under the seat. The product should not be subjected to unbalanced weights, as it is designed for a proper rest on the foothold (on four legs or on the base). Our company relieves from any responsibility in case of damage caused to fragile floors. Avoid any improper use of the product: do not step on the product, on the footrest or on the armrests. Avoid any movements that could compromise the proper functionality of the product or the safety of the users. Wood and leather, being natural materials, could be easily damaged. Small impurities or imperfections are within quality standard range. Do not expose the product to weather conditions or atmospheric agents, nor to heat sources over 40°C. Also products for outdoor use could be afflicted by atmospheric agents. The product could undergo possible exterior changes due to particular exposure to heat, humidity and saltiness. An appropriate and frequent maintenance and cleaning of the product enhances its durability. The product could change colour and shade, if exposed to direct sunlight. Maintenance has to be carried out by experienced staff. Dispose of the package only after assembling the product, in order to avoid the loss of ironmongery and components. Once the product has been dismantled, the product itself or its components must be given to the public garbage disposal system, according to the legislation in force.