

**Description:**

Suspension lamp consisting of one (S1) or two (S2) opal glass spheres. Its metal components are available in two finishes: matte brass or black varnish.

Materials:

Glass and metal.

Finishes:

Matte brass.

Black varnish.

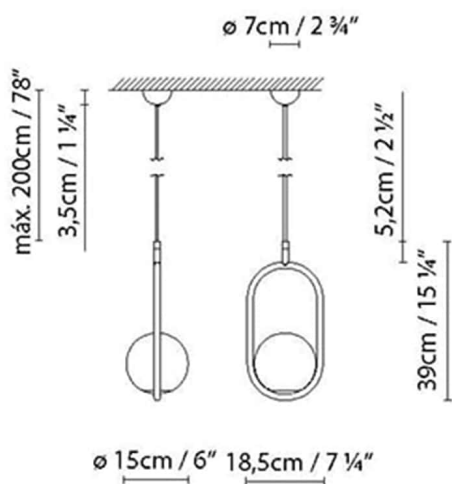
Certifications:

CE ENEC

IP20

230V

C BALL S1

**Light source:**

S1: LED 6W (E14)

LED **A++**

S1: Fluo. max. 12W (E14)

 **A**

S1: Halo. max. 46W (E14)

 **C**

Weight :

Net kg.: 2.5

Gross kg:

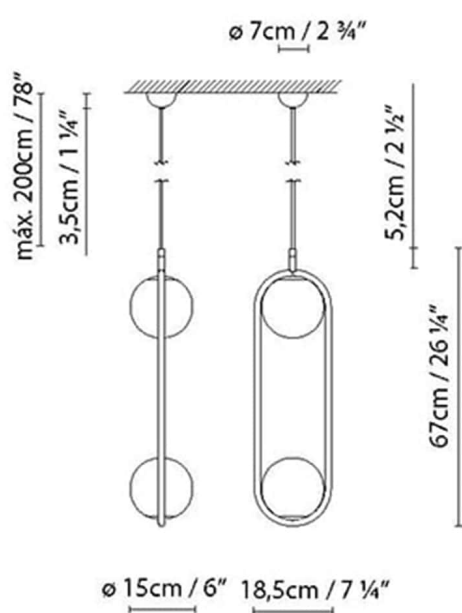
Packaging:

N. packages:

Volume m3:

Dimensions cm:

C BALL S2

**Light source:**

S2: LED 2 x 6W (E14)

LED A++

S2: Fluo. max. 2 x 12W (E14)

 A

S2: Halo. max. 2 x 46W (E14)

 C**Weight :**

Net kg.: 3.5

Gross kg:

Packaging:

N. packages:

Volume m3:

Dimensions cm:

Collection

Designer
Technical drawing