

# **VIRKA**

**ASSEMBLY INSTRUCTION**

**WOUD**

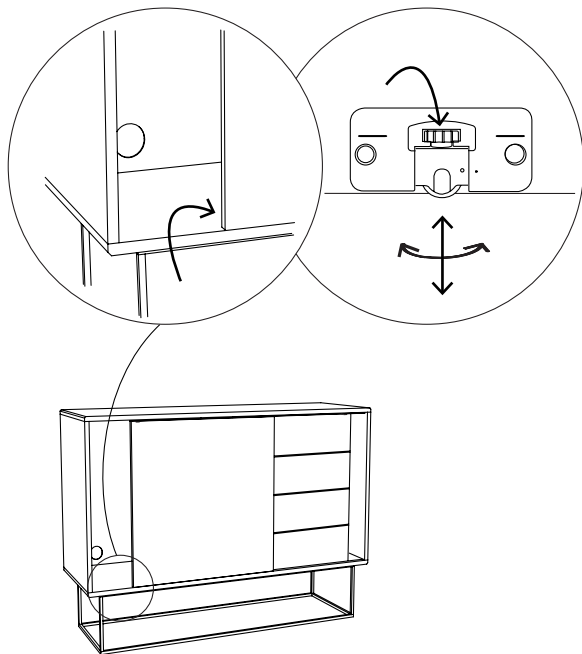
**VIRKA IS AN ELEGANT AND TIMELESS SIDEBOARD.  
WITH CLEAN LINES AND A SIMPLE EXPRESSION,  
THE VIRKA SIDEBOARD CAN BE A PART OF A CON-  
SISTENT DESIGN LANGUAGE OR BE A STANDALONE  
OBJECT. THE SIDEBOARD IS DESIGNED WITH  
SLIDING DOORS SO IT NEVER WILL TAKE UP  
UNNECESSARY SPACE AND THE GEOMETRICAL  
FRAME MAKES VIRKA SEEM LIGHT AND ALMOST  
HOVERING OVER THE FLOOR.**



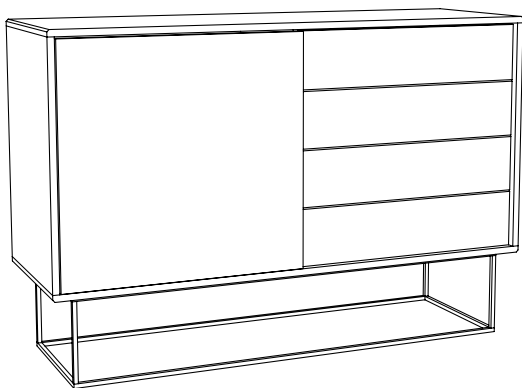
**MOAK AND RØPKE DESIGN**

# ADJUSTMENT INSTRUCTIONS

TWIST THE COGWHEEL ON THE INSIDE OF THE SLIDING DOOR TO ADJUST THE HEIGHT OF THE WHEEL TO MAKE THE DOOR SLIDE MORE EASILY.



**IN EACH CORNER OF THE METAL FRAME SMALL ADJUSTABLE FEET ARE  
PLACED. TWIST THEM TO LEVEL THE SIDEBOARD ONCE PLACED AT THE  
DESIRED SPOT.**



DESIGNED BY  
**MOAAK AND RØPKE DESIGN**