**Description:**

LED suspension lamp made up of adjustable lighting bodies featuring organic forms. Made of PUR, it is available in white, salmon and turquoise finishes, all of them matte. Available in horizontal (SH) and vertical (SV) versions.

**Materials:**

PUR.

**Finishes:**

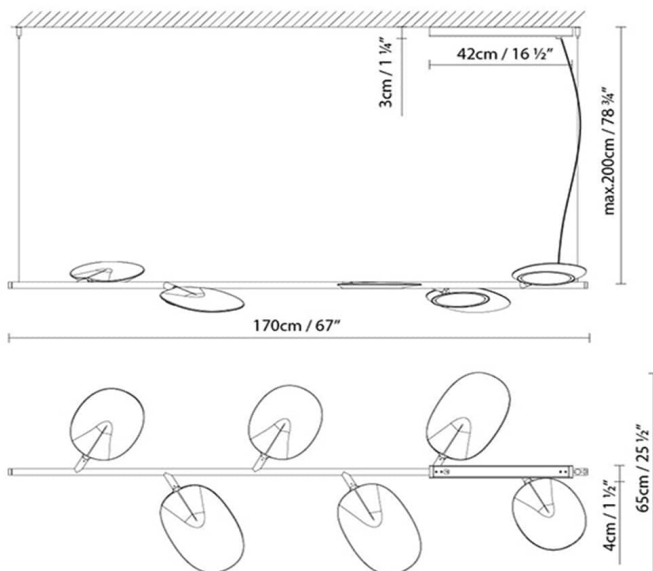
White.  
Salmon.  
Turquoise.

**Certifications:**

CE ENEC DIM

IP20  
110-230V

## A\_FOREST SH

**Light source:**

LED 6 x 9W 7326lm 500mA 2700K CRI>80 DIM  
110-230V

LED **A++**

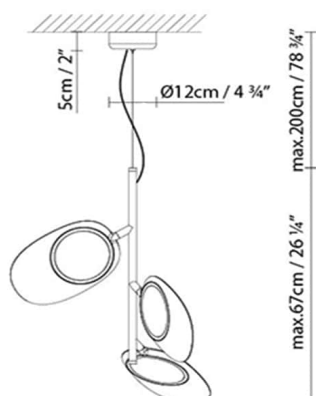
**Weight :**

Net kg.:  
Gross kg:

**Packaging:**

N. packages:  
Volume m3:  
Dimensions cm:

## A\_FOREST SV

**Light source:**

LED 3 x 9W 3663lm 500mA 2700K CRI&gt;80 110-230V

LED **A++****Weight :**

Net kg.:

Gross kg:

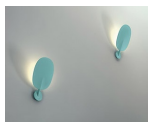
**Packaging:**

N. packages:

Volume m3:

Dimensions cm:

## Collection



Designer  
Technical drawing  
3D  
Instrucciones de montaje