

ASSEMBLY MANUAL - MINGLE TABLE

NEEDED FOR ASSEMBLY

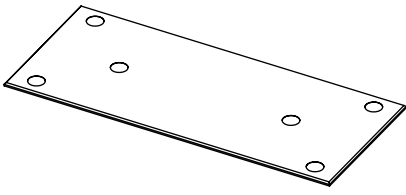
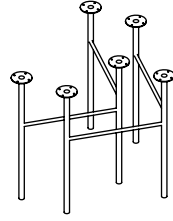


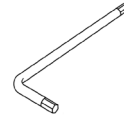
TABLE TOP



2 x TRESTLES



24 x BOLTS

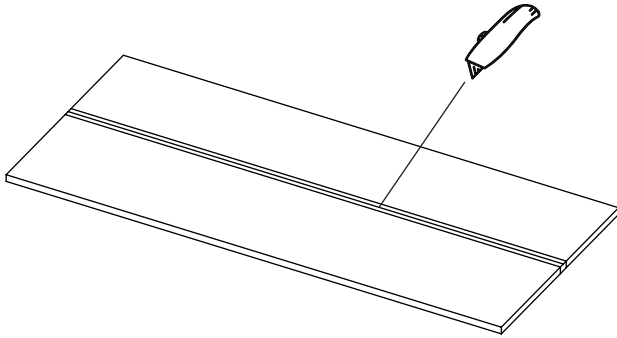


ALLEN KEY



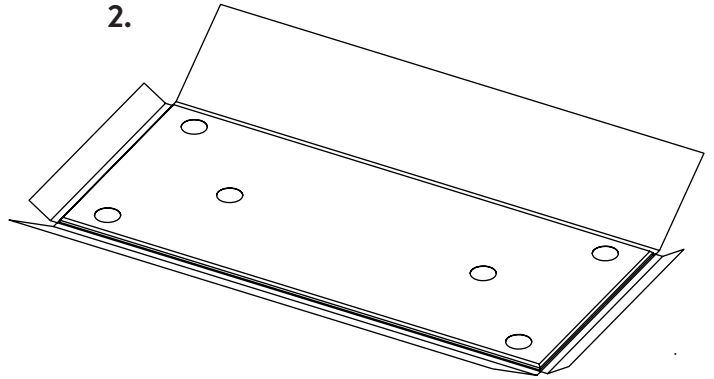
2 x PEOPLE

1.



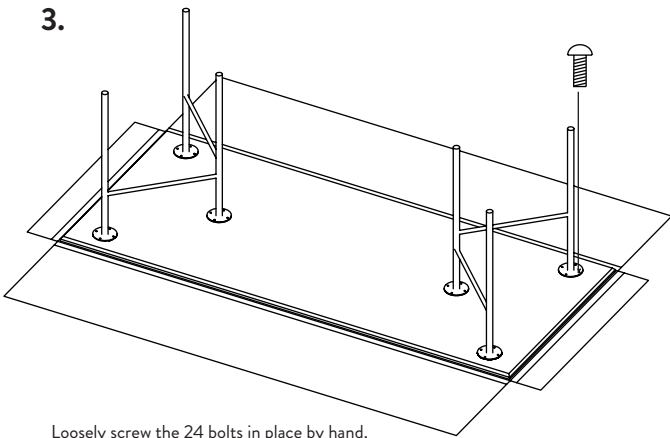
Open the box. Be careful not to scratch the table top

2.



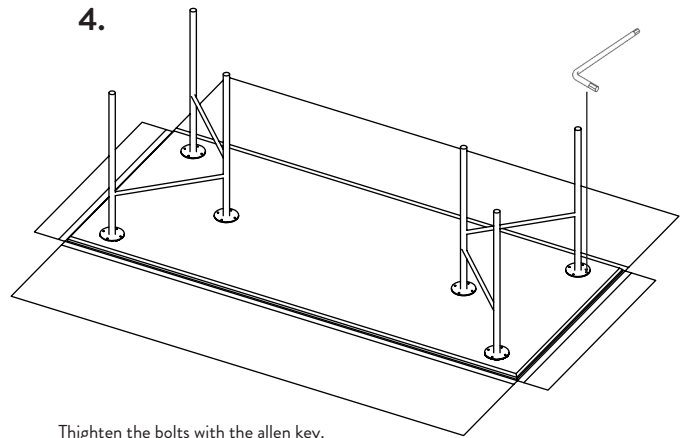
Use the cardboard box as protective surface under the table top while assembling

3.



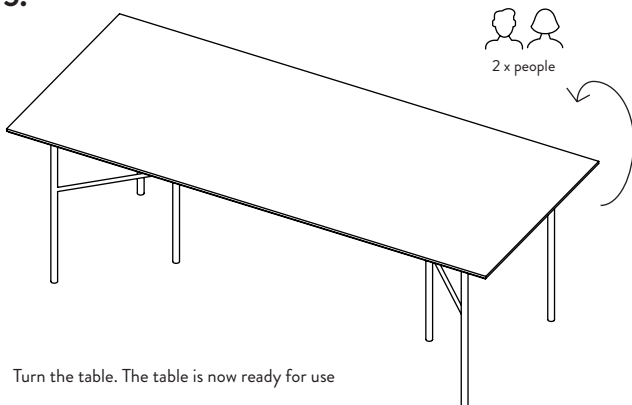
Loosely screw the 24 bolts in place by hand, making sure not to tighten them.

4.



Tighten the bolts with the allen key.

5.



Turn the table. The table is now ready for use

Care instructions:

Clean with a damp cloth tightly wrung out in clean water. Then polish with a soft, dry cloth. For ideal maintenance and to remove scratches, please use a special detergent developed for linoleum surface by Forbo

Safety:

Do not stand on the table. To prevent potential injuries and structural failures, this table should not be used for other than its intended purpose

