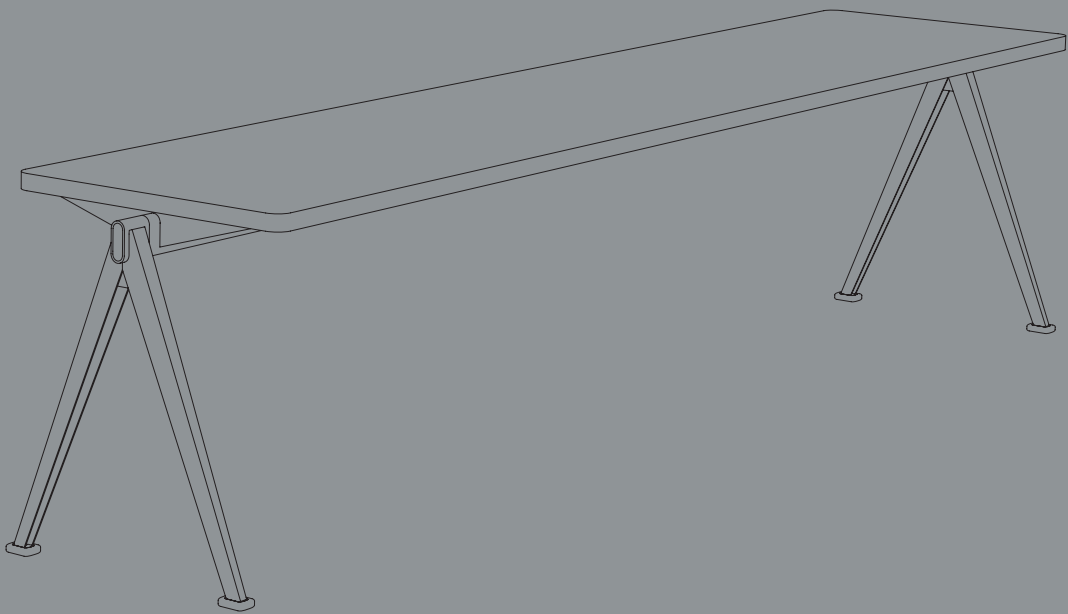


INSTRUCTION MANUAL

PYRAMID BENCH



By *Wim Rietveld*

HAY

INTRODUCTION

Created to be adaptable, light and strong, the Pyramid Benches are the last word in cutout sheet steel construction. Originally created by Wim Rietveld while working at Ahrend in the 1950s, the collection has been relaunched by HAY together with Ahrend. When initially launched in the '50s, it was regarded as a triumph in its innovative use of sheet steel, giving new direction for use in organically shaped products.

Today, both as individual pieces and as a collection, it is notable for its sparing use of materials, simplistic construction and for being light enough to move around. These lasting designs manifest functional excellence and aesthetical lightness that have been proved in real environments over several generations.

CARE AND MAINTENANCE

CAUTION

With a little care you can prolong the life of your furniture. Follow the instructions for the materials of your specific product to make sure that it stays in the best shape for as long as possible.

The information below is only intended as a general guideline. For more information on how to remove specific stains, please enquire where you bought the furniture.

- Avoid placing the bench in direct sunlight or near a heat source to reduce changes. As wood is a natural material, it will change in colour and will patinate over time.
- When you move your furniture, make sure you lift it rather than pulling or pushing it to avoid damaging the floor, legs and mountings.
- Tighten up the screws after one to two months' use and whenever required.
- Avoid improper use such as putting your feet on the bench and standing on it.
- Use coasters under damp, hot or coloured objects to avoid permanent stains.
- Avoid partially covering the surface, for example with cushions or skins, as colour variances may appear.
- Be careful not to scratch or damage the surface with sharp objects.

CARE AND MAINTENANCE

LACQUERED WOOD

- Wipe with a clean cloth wrung in water or in a solution of water and a neutral detergent. Remove soap residue immediately using a clean, dry cloth.
- If the surface is scratched or appears matt, use a care product especially suited to lacquered wood.
- Avoid using detergents containing silicone, as they seal the stain in and make subsequent repairs more difficult.
- Avoid using scouring cream or scouring pads, as they may scratch the surface.

OILED WOOD

- Wipe with a clean, dry cloth. If the surface is dirty, wipe with a clean cloth wrung in water or in a solution of water and a neutral detergent or soap flakes. Remove any soap residue immediately using a clean, dry cloth.
- Never use soft soap or solvents such as spirit, turpentine or acetone.
- Avoid using scouring cream or scouring pads, as they may scratch the surface.
- Do not place any hot, cold or wet things directly on the benchtop, as it will cause lines or rings.
- If the surface is scratched or appears matt, make sure to use an oil hardening care product especially designed to maintain oiled wooden surfaces.

- Clean the furniture thoroughly (12 hours) before applying the oil to all surfaces. To ensure optimal absorbency, gently sand down the wood using fine-grit sandpaper (No.180 or 240), always going with the grain. Apply the oil generously using a clean cloth or a sponge, always going with the grain. Do not pour the oil directly on the surface.
- When the surface is glistening, leave the oil on for around two hours until fully absorbed. Remove any excess oil with a clean lint-free cloth. Leave the furniture to dry overnight (min. 12 hours) and avoid placing anything on the surface before it is completely dry.

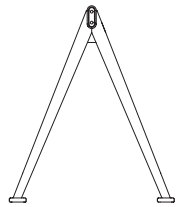
- If the grain of the wood rises after oiling, gently sand down the wood using fine-grit sandpaper (No. 180 or 240), always going with the grain.

- To optimally maintain the naturally beautiful appearance of the wood, we recommend you regularly treat the furniture's surface with oil whenever it appears dull, scratched or as needed.

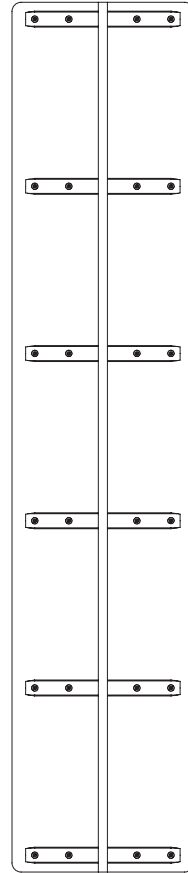
POWDER COATED STEEL

- Wipe with a clean cloth wrung in water or in a solution of water and a neutral detergent. Remove soap residue immediately using a clean, dry cloth.
- Avoid using scouring cream or scouring pads, as they may scratch the surface.

PARTS



A x 2



B x 1



C x 4



D x 4



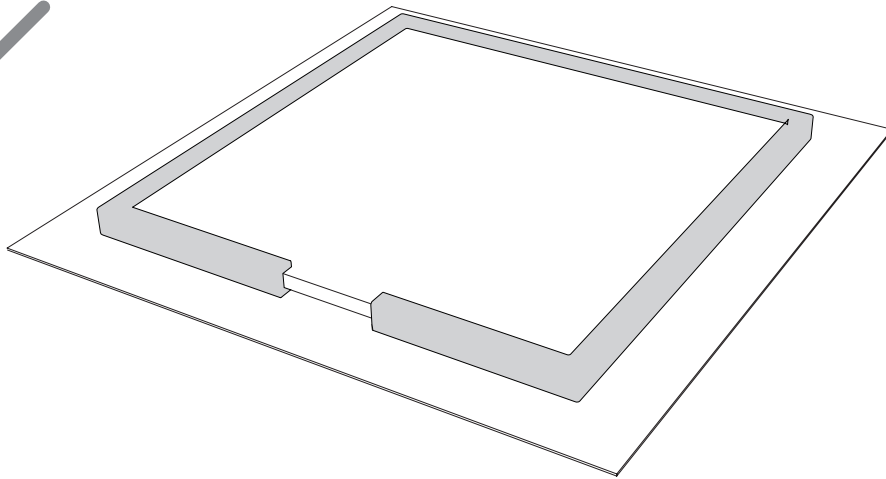
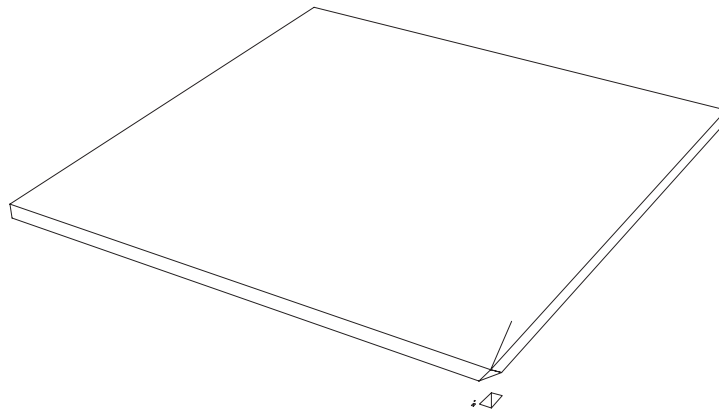
Allen key



Allen key

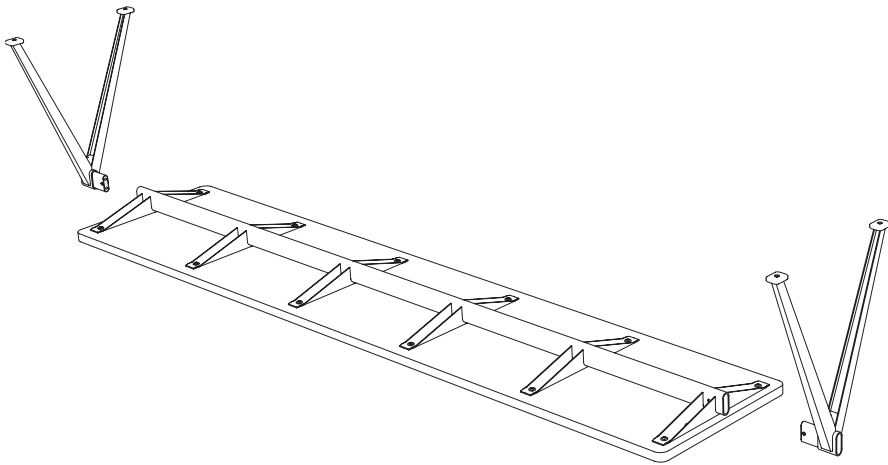
1.

While assembling, keep the table inside the cardboard box with foam edge in order to protect the tabletop from scratches etc. Make sure that all parts are included.



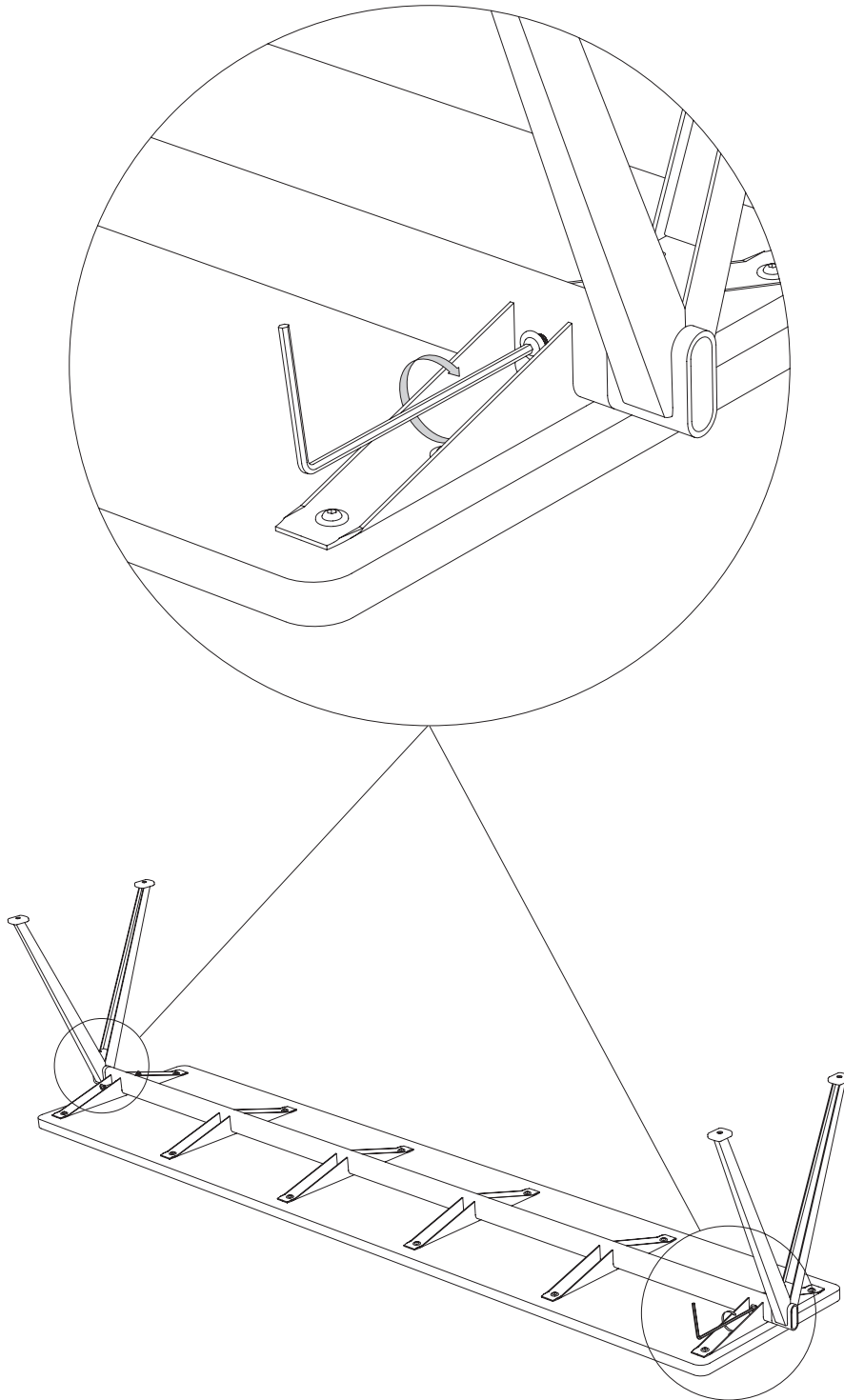
2.

Insert each A part into both ends of part B.



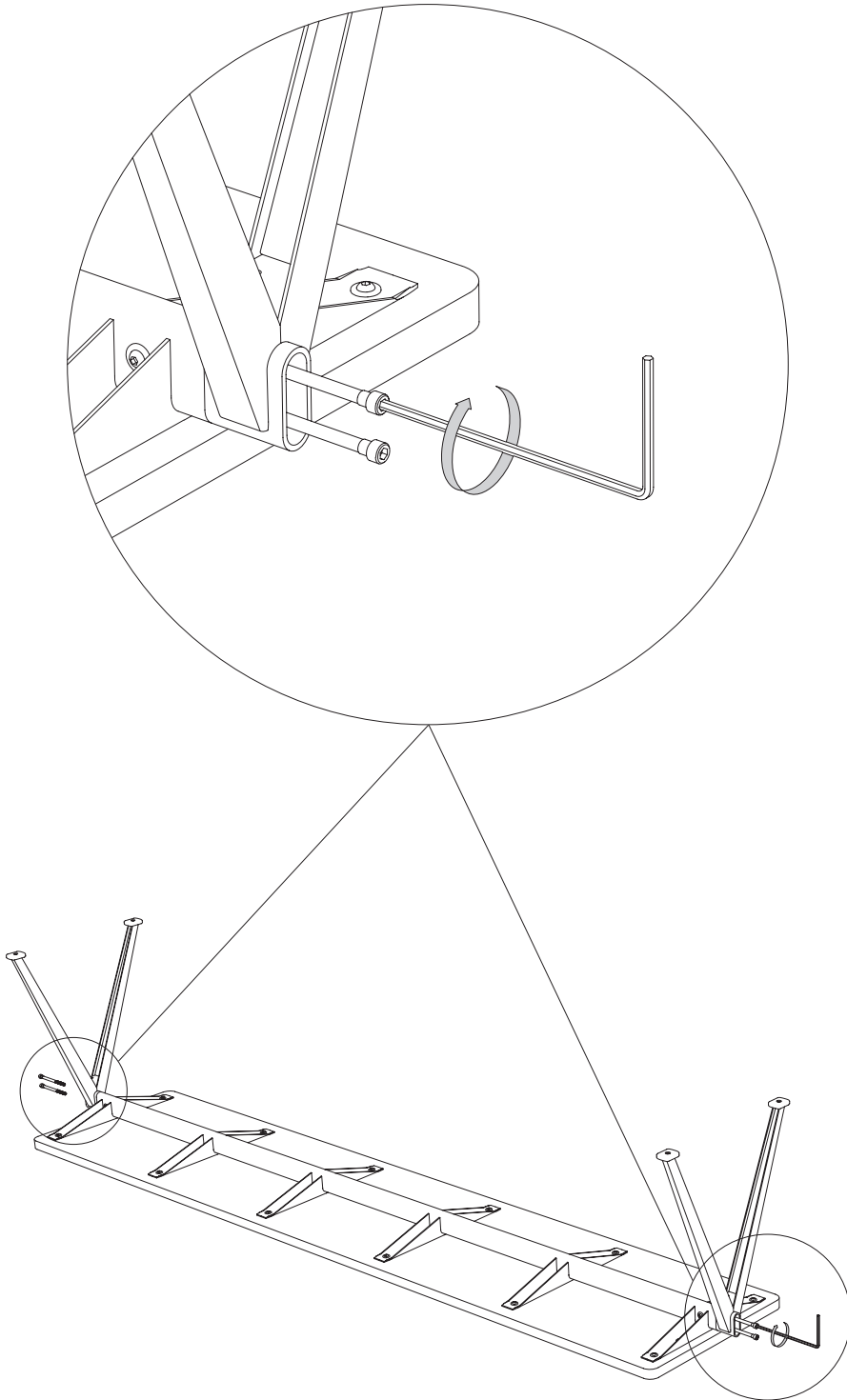
3.

Secure A to B by slightly tightening the D parts. Do not tighten completely at this stage.



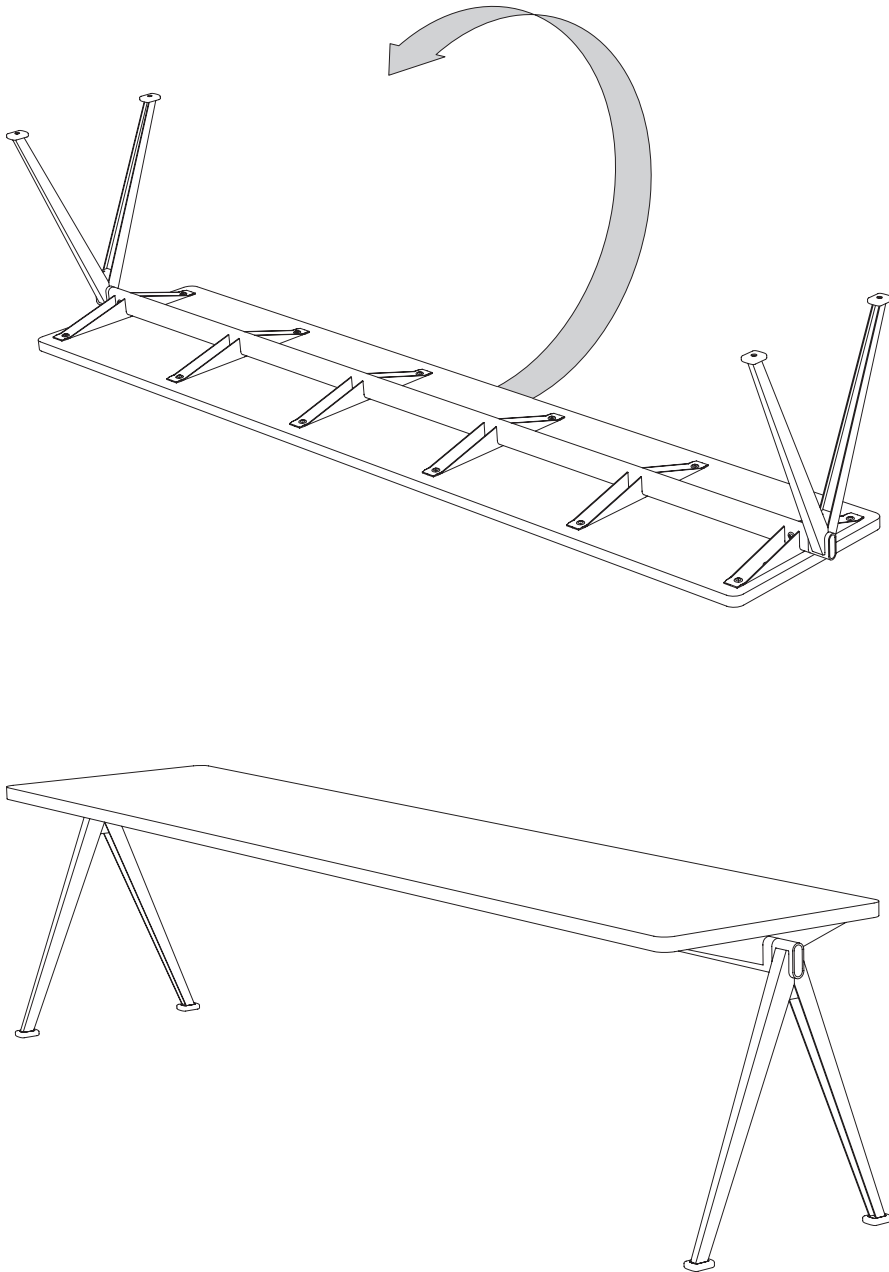
4.

Secure A to B by tightening the C parts. Do not tighten completely at this stage.



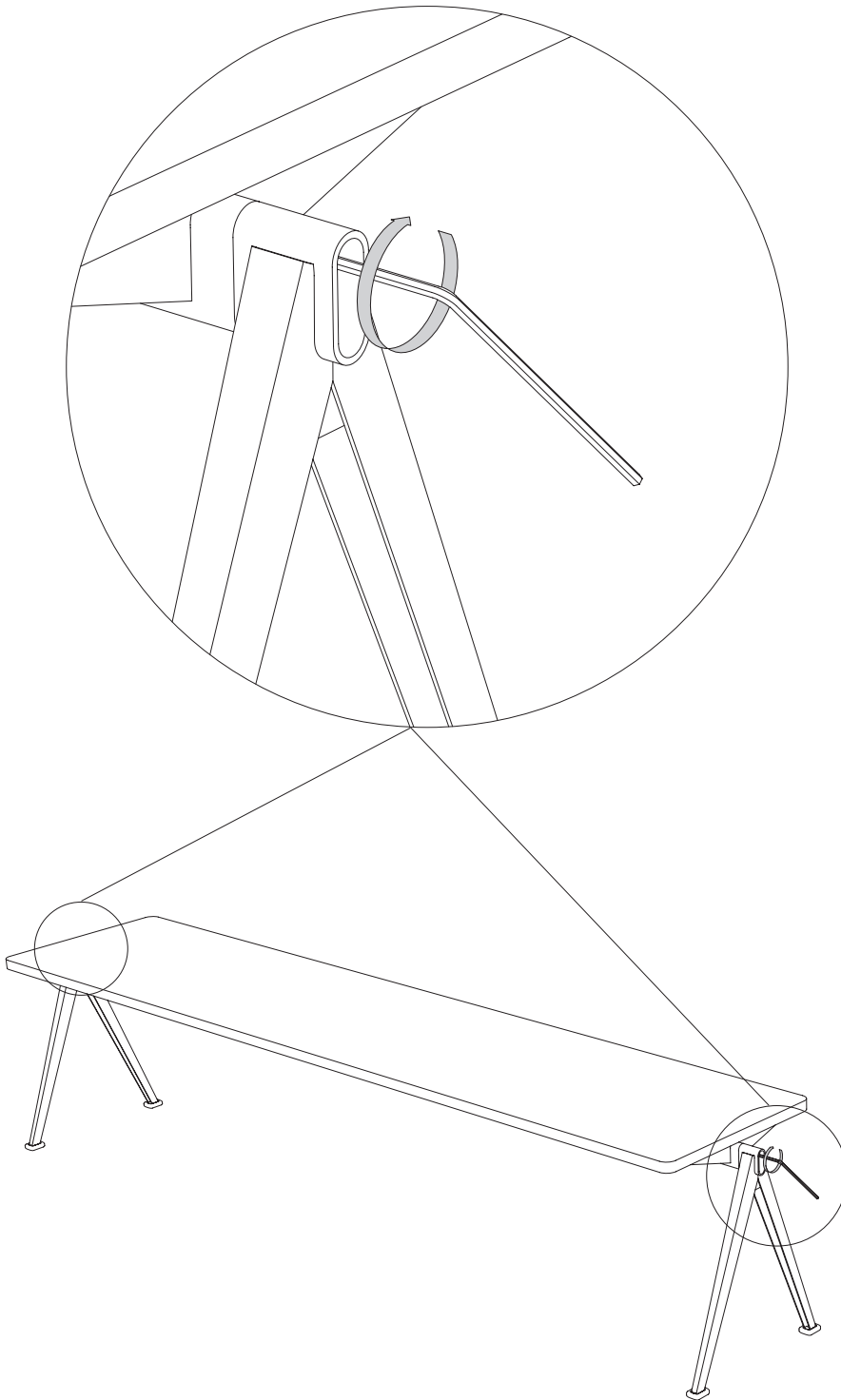
5.

Turn the bench over (2 persons recommended).



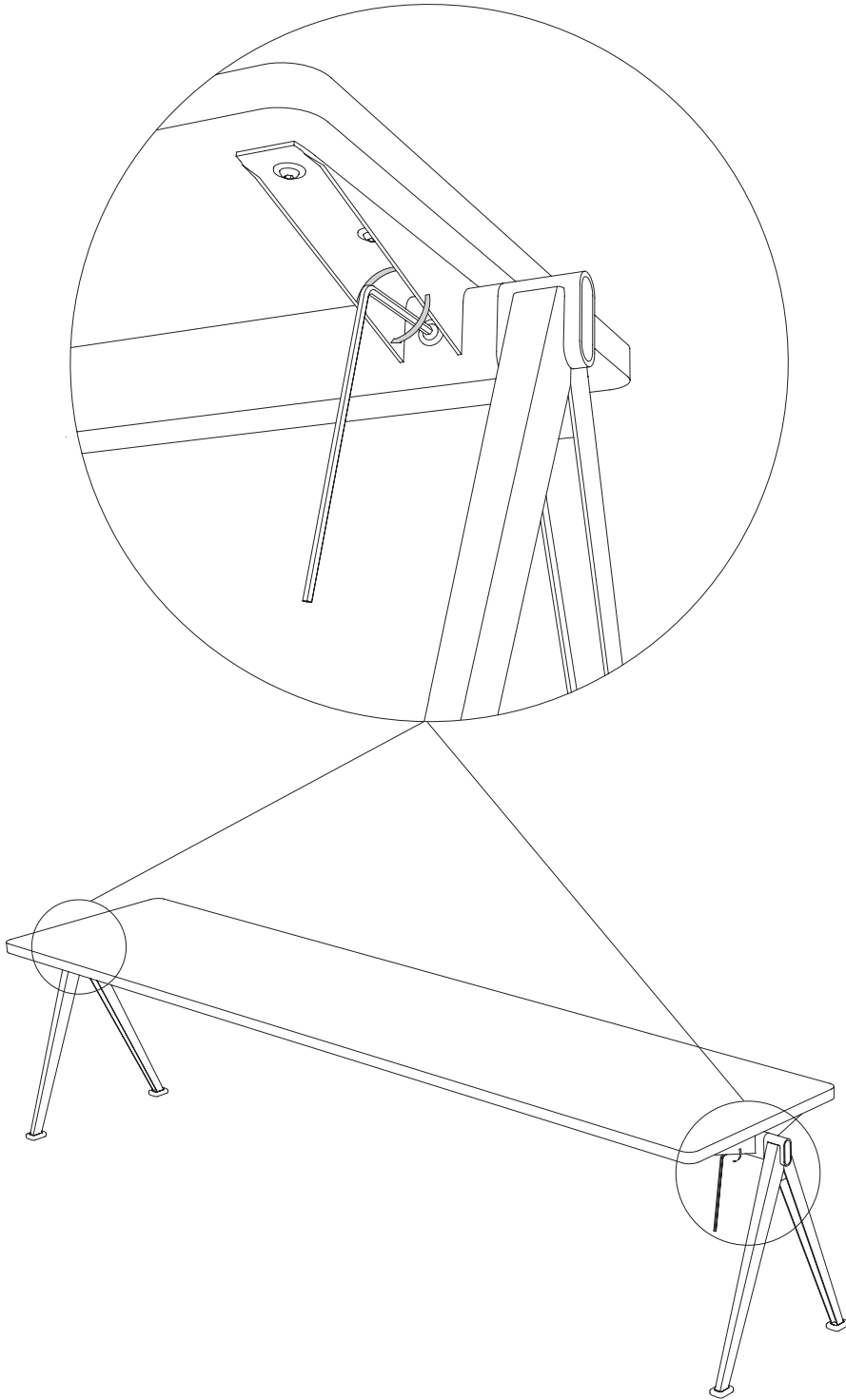
6.

Make sure the bench is level and then tighten the C parts completely.

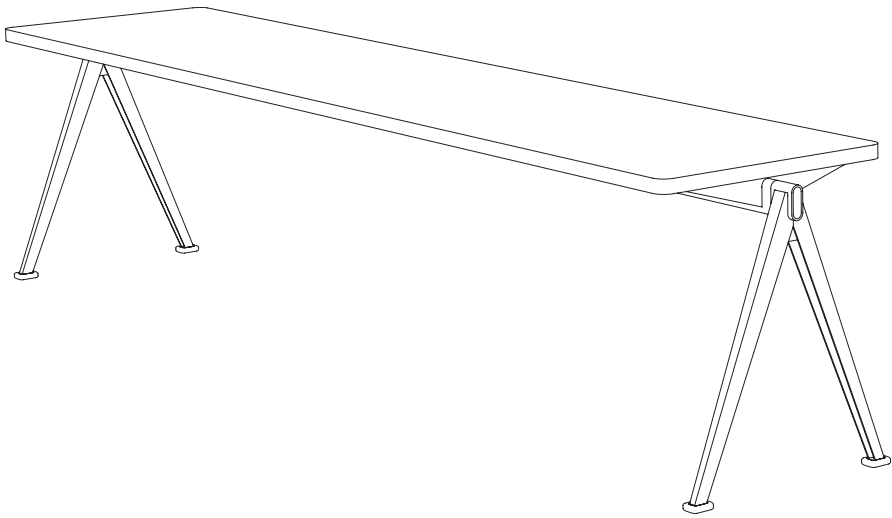


7.

Make sure the bench is level and then tighten the D parts completely.



8.



Havnen 1 8700 Horsens Denmark
+45 4282 0282 / hay@hay.com

HAY

ITEM NO. 706375



5710441248927

06022020