

COPENHAGUE DEUX

DESIGN BY RONAN & ERWAN BOUROULLEC



The Bouroullec brothers' Copenhagen Deux collection is a versatile range of tables and benches designed especially for compact spaces. The collection includes dining tables, coffee tables and benches in a wide variety of shapes and sizes, which all share the same light, uncluttered profile. The tabletop surface is made from a laminate based on nanotechnology, which provides an ultra-matt surface with a soft touch that is anti-fingerprint and easy to clean. Ideal for offices, homes and cafés and anywhere tight on space.

PRODUCT DETAILS

- / Multi-functional family of tables and benches in different shapes, sizes, materials and colours.
- / Variability of nanolaminate colours and frame finishes.
- / Suitable for a wide variety of private and public environments.
- / Qualified for contract use.

HAY

MATERIAL

TABLETOP / 18 mm plywood tabletop with nanolaminate. 1 mm laminate.

FRAME / Solid wood legs featuring non-visible integrated screw-in adjustable feet that can be extended up to 12 mm to make the table level on uneven surfaces. The screws are only integrated on the four-legged tables.

COLOUR & FINISH

Please note that the colour codes are indicative.

TABLETOP / Available in 3 different tabletop colours.
 / Ink black laminate (Fenix NTM 0720)
 / Pearl white laminate (Fenix NTM 0029)
 / Stone grey laminate (Fenix NTM 0724)



INK BLACK LAMINATE



PEARL WHITE LAMINATE



STONE GREY LAMINATE

FRAME / Available in 5 different frame finishes.
 / Ink black water-based lacquered solid beech (NCS S 8500-N)
 / Pearl white water-based lacquered solid beech (NCS S 0502-Y)
 / Stone grey water-based lacquered solid beech (NCS S 7502-B)
 / Water-based lacquered solid oak
 / Untreated solid beech



INK BLACK WATER-BASED LACQUERED SOLID BEECH



PEARL WHITE WATER-BASED LACQUERED SOLID BEECH



STONE GREY WATER-BASED LACQUERED SOLID BEECH



WATER-BASED LACQUERED SOLID OAK



UNTREATED SOLID BEECH

CONSTRUCTION

Solid wood leg construction must be mounted with screws to the tabletop. Reinforcement brackets added on the benches.

Tabletop in plywood with 10 mm straight and approximately 30 mm bevelled edge.

Requires assembly.

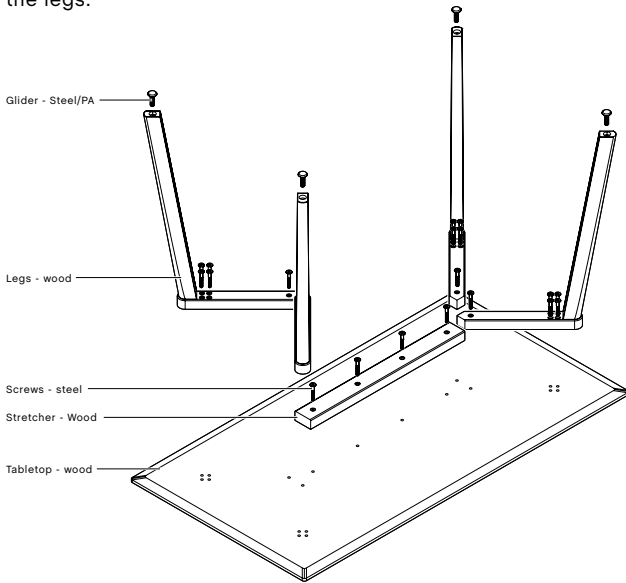
COMBINATIONS

FRAME \ TABLETOP	INK BLACK	PEARL WHITE	STONE GREY	WATER-BASED	UNTREATED
INK BLACK	•			•	•
PEARL WHITE		•		•	•
STONE GREY			•	•	•

RECYLING AND DISASSEMBLY

CPH Deux 210 is designed to be a long-lasting furniture made to last for many years. The table is 100% recyclable and all parts can be fully separated and recycled. All parts can be delivered to a suitable recycling facility.

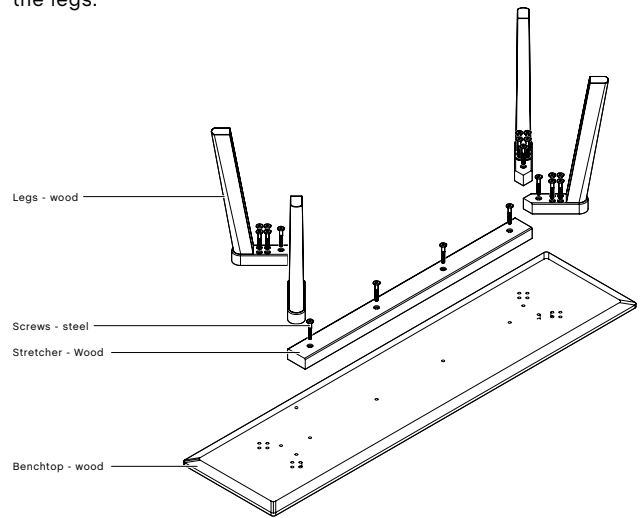
To disassemble the table, turn it over and unscrew all screws holding the legs and stretcher. Lastly unscrew the gilders from the legs.



RECYLING AND DISASSEMBLY

CPH Deux 215 is designed to be a long-lasting furniture made to last for many years. The bench is 100% recyclable and all parts can be fully separated and recycled. All parts can be delivered to a suitable recycling facility.

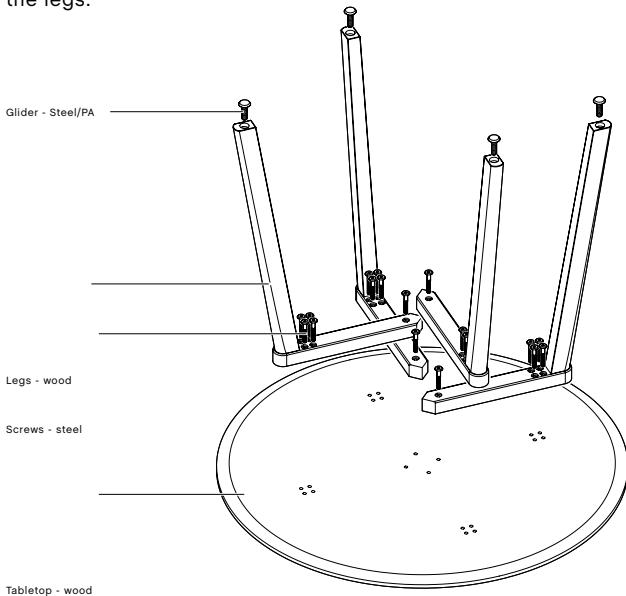
To disassemble the bench, turn it over and unscrew all screws holding the legs and stretcher. Lastly unscrew the gilders from the legs.



RECYLING AND DISASSEMBLY

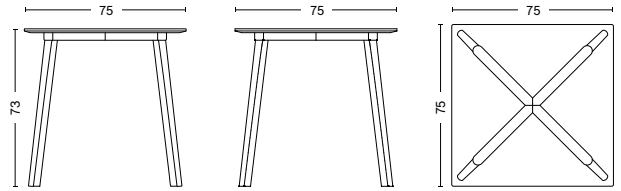
CPH Deux 220 Ø98 is designed to be a long-lasting furniture made to last for many years. The table is 100% recyclable and all parts can be fully separated and recycled. All parts can be delivered to a suitable recycling facility.

To disassemble the table, turn it over and unscrew all screws holding the legs and stretcher. Lastly unscrew the gilders from the legs.

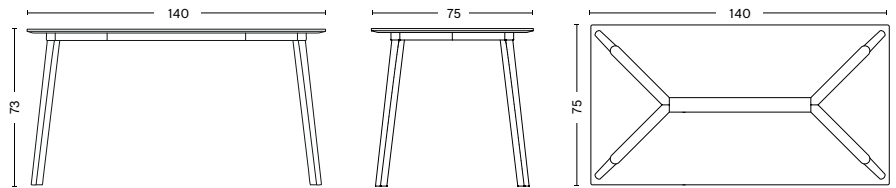


CPH DEUX 210 / DIMENSIONS

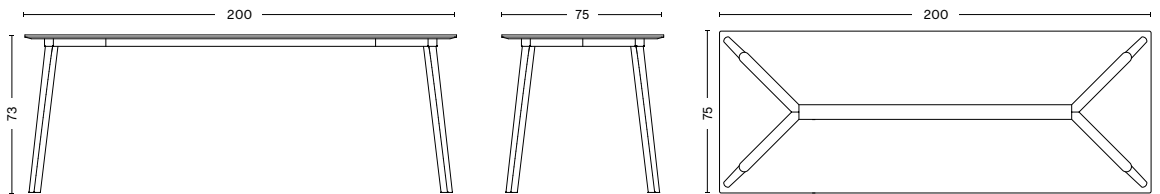
LENGTH / 75 cm / 29.53"
 WIDTH / 75 cm / 29.53"
 HEIGHT / 73 cm / 28.74"



LENGTH / 140 cm / L55.12"
 WIDTH / 75 cm / 29.53"
 HEIGHT / 73 cm / 28.74"

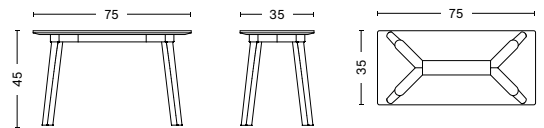


LENGTH / 200 cm / 78.74"
 WIDTH / 75 cm / 29.53"
 HEIGHT / 73 cm / 28.74"

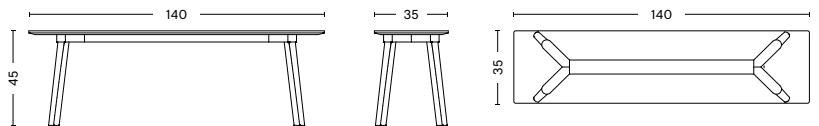


CPH DEUX 215 / DIMENSIONS

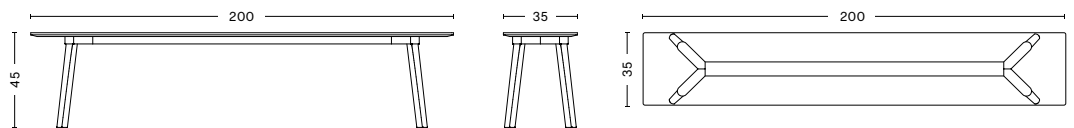
LENGTH / 75 cm / 29.53"
 WIDTH / 35 cm / 13.78"
 HEIGHT / 45 cm / 17.72"



LENGTH / 140 cm / L55.12"
 WIDTH / 35 cm / 13.78"
 HEIGHT / 45 cm / 17.72"



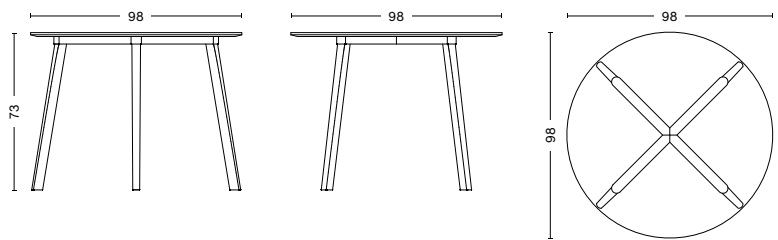
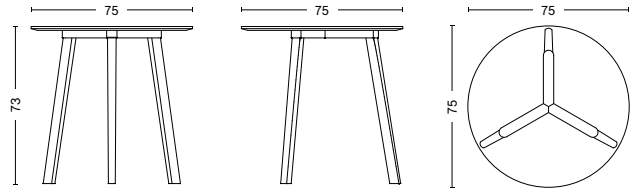
LENGTH / 200 cm / 78.74"
 WIDTH / 35 cm / 13.78"
 HEIGHT / 45 cm / 17.72"



CPH DEUX 220 / DIMENSIONS

DIAMETER / Ø75 cm / 29.53"
HEIGHT / 73 cm / 28.74"

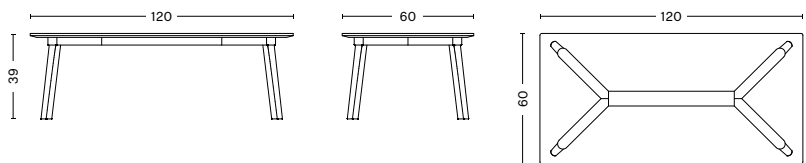
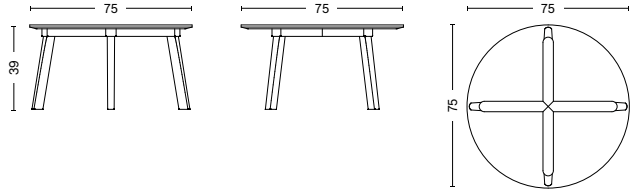
DIAMETER / Ø98 cm / 38.58"
HEIGHT / 73 cm / 28.74"



CPH DEUX 250 / DIMENSIONS

DIAMETER / Ø75 cm / 29.53"
HEIGHT / 39 cm / 15.35"

LENGTH / 120 cm / 47.24"
WIDTH / 60 cm / 23.62"
HEIGHT / 39 cm / 15.35"



TESTS

CPH 210 Table

EN 15372: 2008 / Furniture - Strength, durability and safety - Requirements for non-domestic tables.

L3: Severe use.

CPH 215 Bench

EN 16139:2013 / Furniture - Strength, durability and safety - Requirements for non-domestic seating.

L2: Extreme use - Loading according to Test severity L2.

CPH 220 Table Ø98 x H73

EN 15372: 2008 / Furniture - Strength, durability and safety - Requirements for non-domestic tables.

L3: Severe use.

CERTIFICATES



The EU-Ecolabel is the official European ecolabel.



Made from FSC™-certified and other controlled materials.

WARRANTY

HAY provides a 5-year product warranty, which covers materials and workmanship on our furniture frame and upholstery.

The warranty covers faults which were present at the time of purchase or which have occurred as a result of defects present at the time of purchase. The warranty period of 5 years is calculated from the date on the original invoice.

Spare parts are available throughout the 5 year warranty period.

CARE & MAINTENANCE

A general care guide with all materials is available at hay.com.

[Link to care and maintenance guideline.](#)

DOWNLOADS

Packshots and lifestyle photos, 2D / 3D files, care and maintenance, instructions, test certificates, product fact sheets, and product presentations are available in our Image Bank at hay.com.

[Link to downloads.](#)

HAY