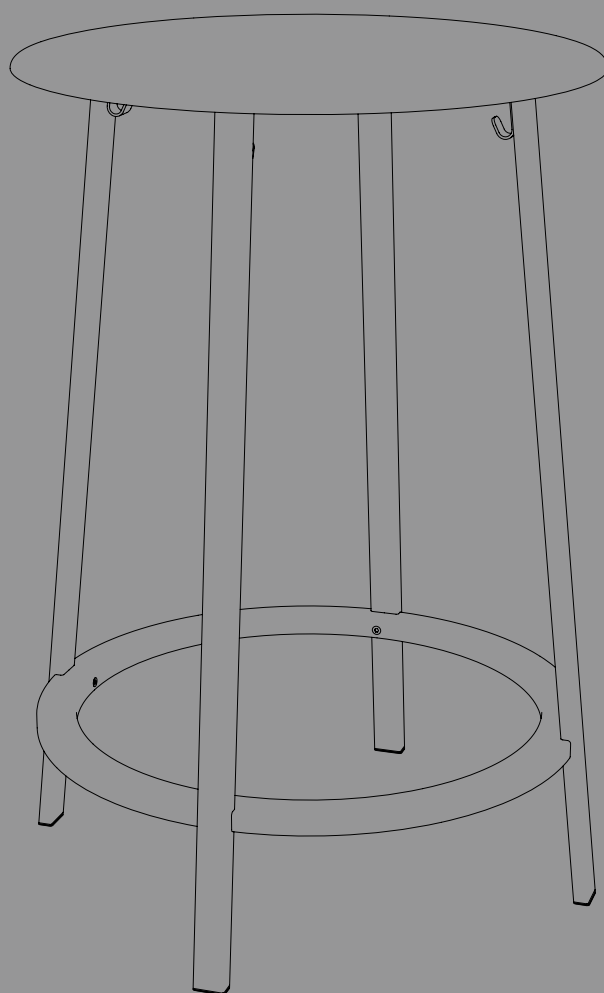


INSTRUCTION MANUAL

REVOLVER TABLE



By *Leon Ransmeier*

HAY

INTRODUCTION

Designed to accompany the family of Revolver stools, Leon Ransmeier's Revolver Table is made in powder coated steel and features the same curved edges and sense of symmetry.

In terms of functionality, the circular footrest provides support, while hooks on the table legs enable coats and bags to be hung securely underneath. The table is available in different colours, and is suitable for a wide range of cafés, restaurants, and other public environments.

CARE AND MAINTENANCE

CAUTION

With a little care you can prolong the life of your furniture. Follow the instructions for the materials of your specific product to make sure that it stays in the best shape for as long as possible.

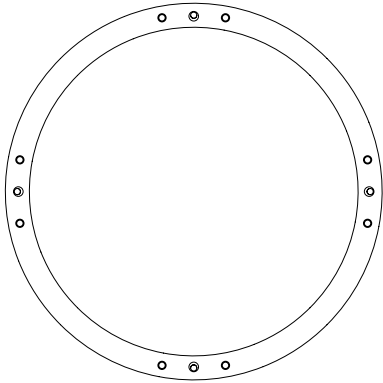
The information below is only intended as a general guideline. For more information on how to remove specific stains, please enquire where you bought the furniture.

- Always remove stains quickly before they can do any permanent damage to the furniture.
- When you move your table, make sure you lift it rather than pulling or pushing it to avoid damaging the floor, legs and mountings.
- Use coasters under damp, hot or coloured objects to avoid permanent stains.
- Be careful not to scratch or damage the surface with sharp objects.
- Check the status of the gliders frequently and if worn down, contact your local retailer to buy replacements. The durability of the gliders will depend on the surface the table is placed on.
- Avoid improper use such as putting your feet on the table or standing on it.

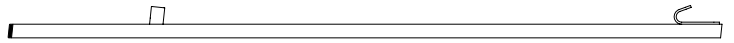
POWDER COATED STEEL

- Wipe with a clean cloth wrung in water or in a solution of water and a neutral detergent. Remove soap residue immediately using a clean, dry cloth.
- Avoid using scouring cream or scouring pads, as they may scratch the surface.
- Do not use solvents as they may have an adverse effect on the coating.
- Never use acetic acid or citric acid.

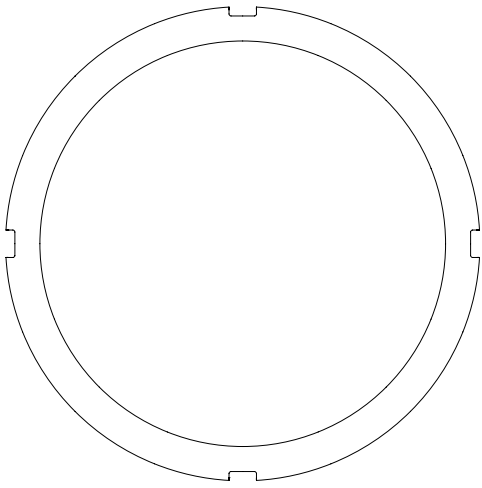
PARTS REVOLVER TABLE



Top Ring (A) x 1



Leg (B) x 4



Bottom Ring (C) x 1

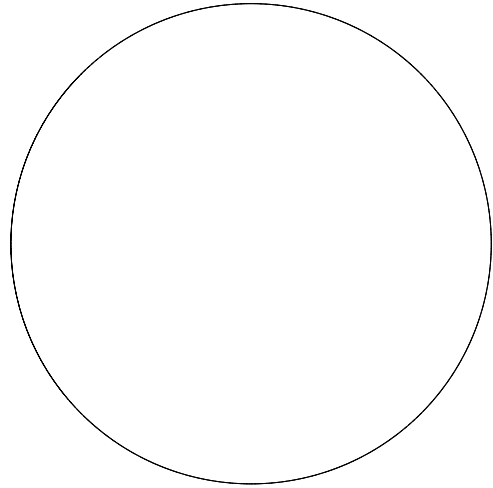
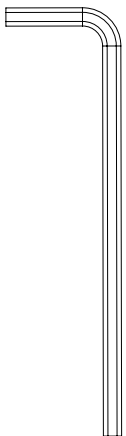
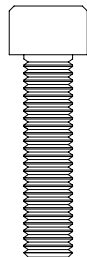


Table Top (D) x 1



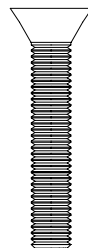
Allen Key Large
(E) x 1



Screw (F) x 4



Allen Key Small
(G) x 1



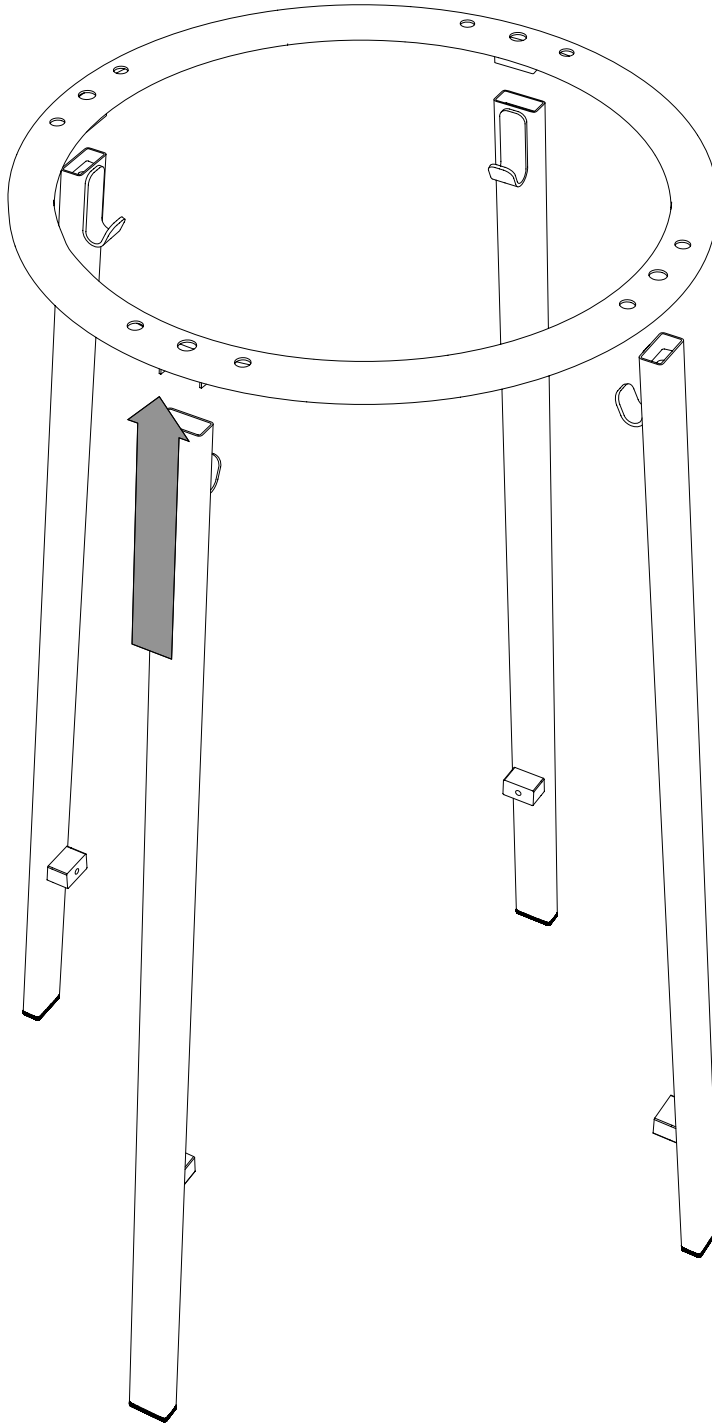
Screw (H) x 4



Screw (I) x 8

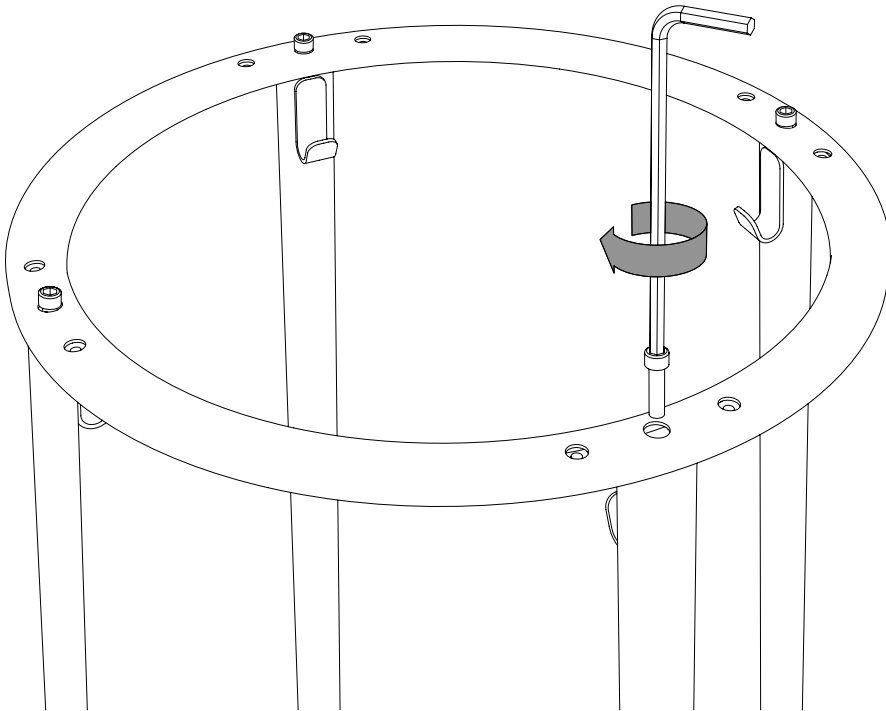
1.

Mount the Legs (B) onto the Top Ring (A).



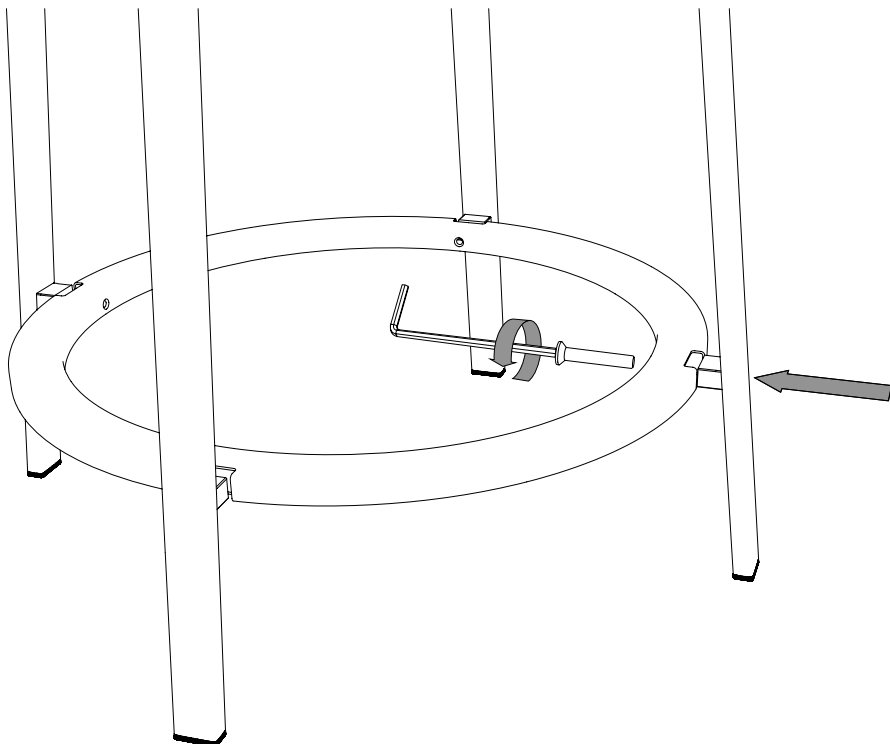
2.

Insert the screws (F) and screw them loosely using the Allen Key Large (E) to connect the Top Ring (A) to the Legs (B).



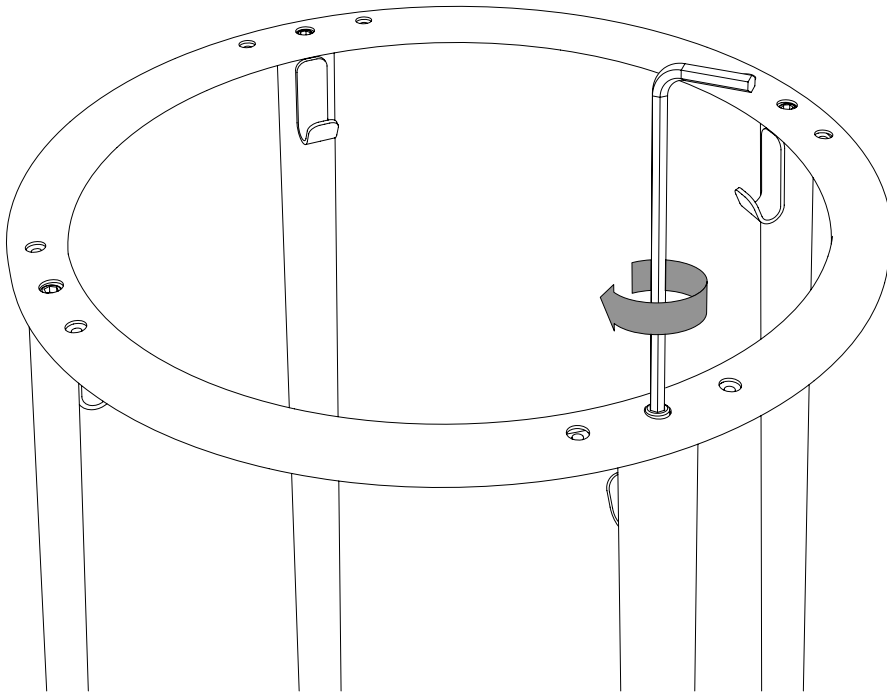
3.

Insert the screws (H) and screw them loosely using the Allen Key Small (G) to connect the Bottom Ring (C) to the Legs (B).



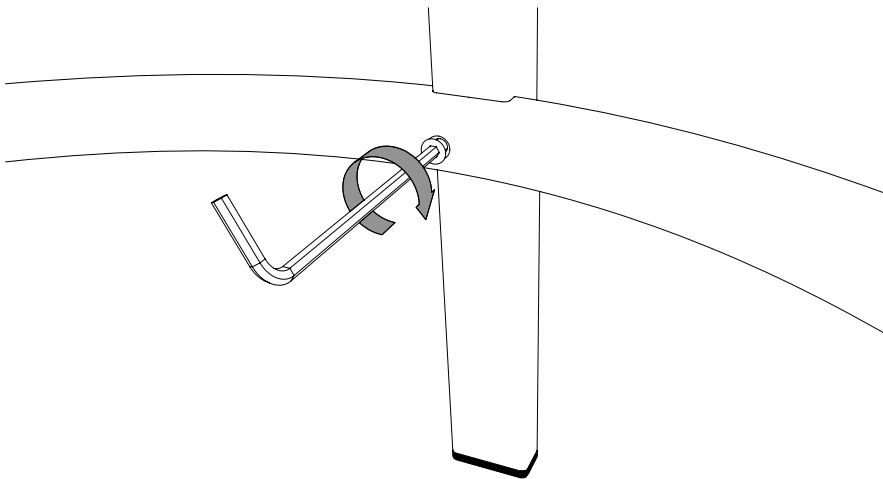
4.

Fully tighten the screws (F) using the Allen Key Large (E) to fix the Top Ring (A) to the Legs (B).



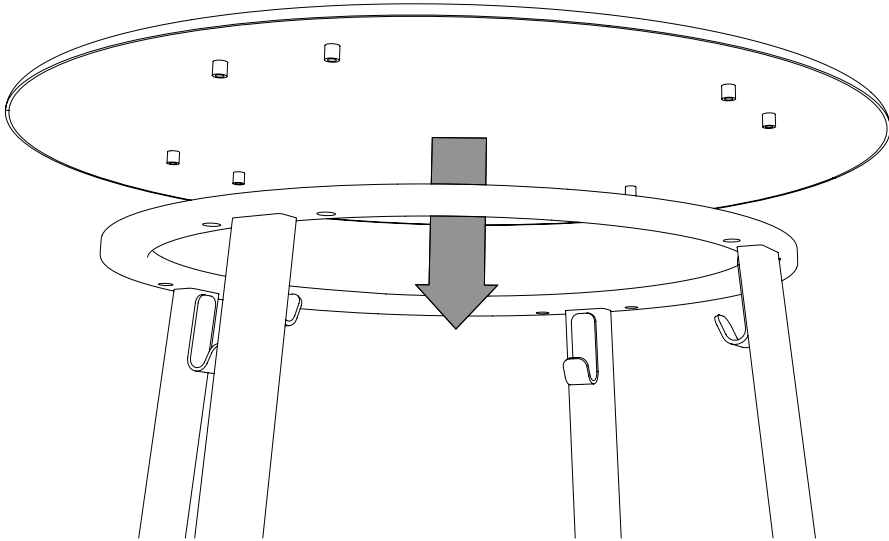
5.

Fully tighten the screws (H) using the Allen Key Small (G) to secure the Bottom Ring (C) to the Legs (B).



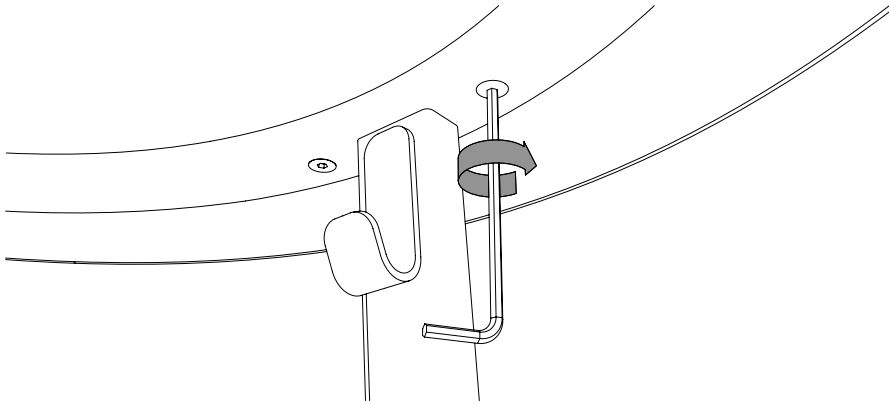
6.

Mount the Tabletop (D) onto the Top Ring (A).



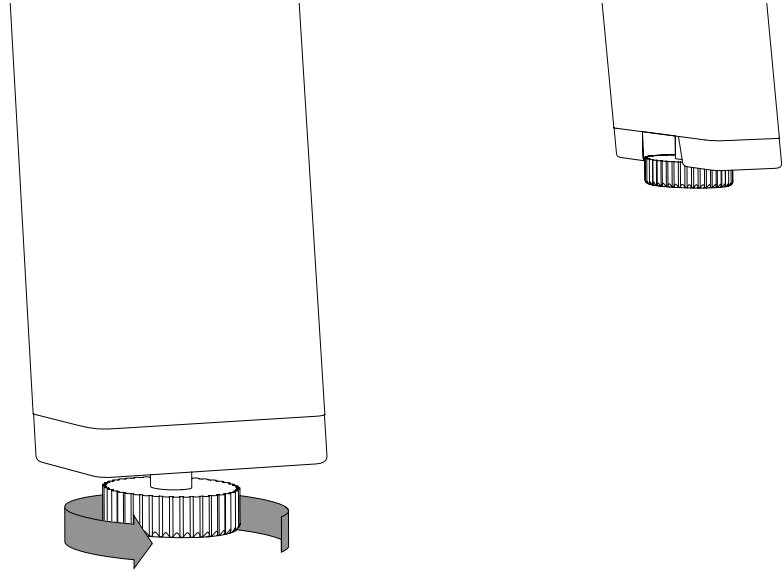
7.

Place all the screws (I) in the holes from underneath to connect the Tabletop (D) to the Top Ring (A).
Tighten the screws using the Allen Key Small (G) .

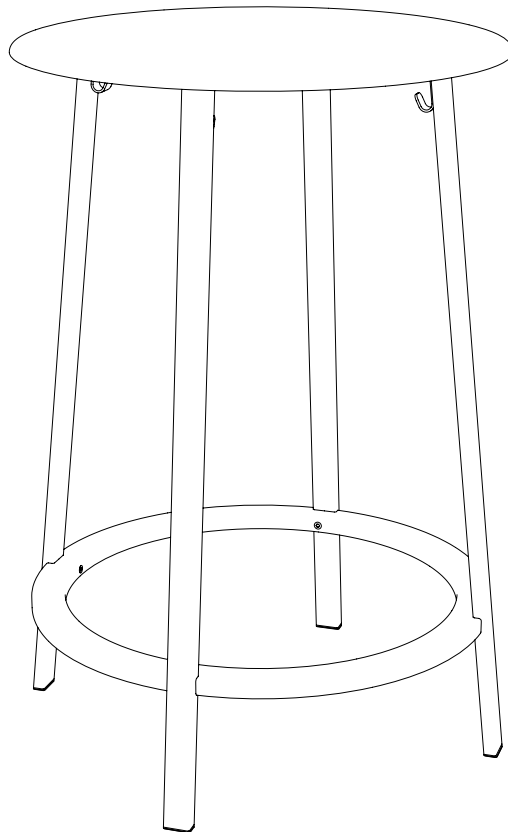


8.

If necessary, adjust the gliders to make the table level.



9.



Havnen 1 8700 Horsens Denmark
+45 4282 0282 / hay@hay.com

HAY

ITEM NO. 706358

