



**Description:**

Articulated ceiling lamp designed in the late 70s, in the style of the English school. The simplicity of its forms is reflected in its friction swivel joints and aluminium shade. Finishes: matte black, matte red or satin beige. Shade with a satin white interior.

**Materials:**

Aluminium.

**Finishes:**

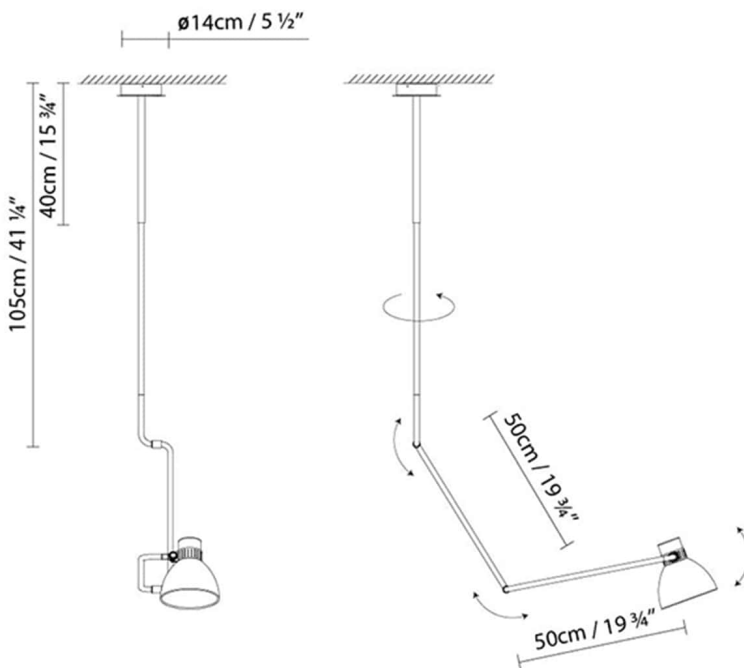
Black.  
 Red.  
 Beige.

**Certifications:**

CE ENEC

IP20

BLUX SYSTEM C



**Light source:**

LED 10W (E27)

LED **A+**

Fluo. max. 11W (E27)

**A**

Halo. classic. max. 57W (E27)

**D**

**Weight :**

Net kg.:

Gross kg:

**Packaging:**

N. packages:

Volume m3:

Dimensions cm:

Collection



Instrucciones de montaje  
 3D  
 Technical drawing