

ABOUT A CHAIR / AAC 19

DESIGN BY HEE WELLING & HAY



Offering a slightly more formal flavour than the rest of the series, About A Chair AAC 19 features slim, elegant legs and armrests that frame the seat shell. The chair's upright, slightly rounded seat offers excellent comfort, while the open front conveys a welcoming expression. Its refined silhouette makes it a perfect conference chair, but is also suitable for dining tables or home offices. The legs are available in chrome and powder coated finishes, while the shell comes in diverse colour and upholstery options, allowing a multitude of design combinations that make this series so versatile.

PRODUCT DETAILS

- / Part of a multi-functional family of dining and conference chairs, office chairs, bar stools, lounge chairs, tables, an ottoman and a sofa.
- / Variability of textiles, colours and base finishes.
- / Suitable for a wide variety of private and public environments.
- / Qualified for contract use.
- / Available with plastic shell, with front- and seat upholstery (AAC 18) and full upholstery (AAC 19) in a large selection of fabrics and leathers.
- / Other base options are: Swivel base, wheel base, sled base, solid wood legs and moulded plywood legs.
- / Shell is also available with armrest.
- / Stackable 5 pcs.
- / Stacking possibilities on trolley up to 5 pcs.

HAY

MATERIAL

SHELL / Injection moulded polypropylene shell without armrest with full upholstery.

Shell thickness: 10 mm polypropylene with 10 mm foam

BASE / 4-legged base in Ø16 mm bent steel tube with integrated armrests. Included armpads in PU foam black.

STACKING PAD / Polypropylene, charcoal.

FABRICS

Available in a large selection of standard fabrics and leathers.

KVADRAT

/ Remix	/ Canvas
/ Surface by HAY	/ Compound
/ Steelcut	/ Harald
/ Steelcut Trio	/ Lila
/ Melange Nap	/ Coda
/ Divina	/ Balder
/ Divina Melange	/ Atlas
/ Divina MD	/ Raas
/ Fiord	/ Vidar
/ Hallingdal	/ Re-wool

MAHARAM*

/ Mode

ROMO*

/ Ruskin	/ Olavi by HAY
/ Roden	/ Linara

VELOUR*

/ Lola	/ Ice (UK only)
--------	-----------------

HAY COTTON LINEN COLLECTION*

/ Swarm	/ Lint
/ Linen Grid	/ Random Fade

HAY WOOL COTTON COLLECTION*

/ Bolgheri	/ Flamiber
/ DOT 1682	/ Fairway

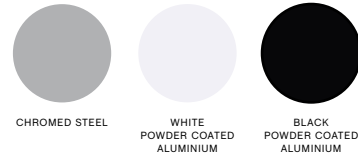
CAMO LEATHERS

/ California	/ Nevada*
/ Sierra	/ Silk

*Only available in colours selected by HAY.

Following textiles are not available in UK: Harald, Lola, Linen Grid, Lint, Flamiber.

BASE FINISH



BASE FINISH / Available in 3 different base finishes:

- / Chromed steel
- / White powder coated aluminium (RAL 9003)
- / Black powder coated aluminium (RAL 9005)

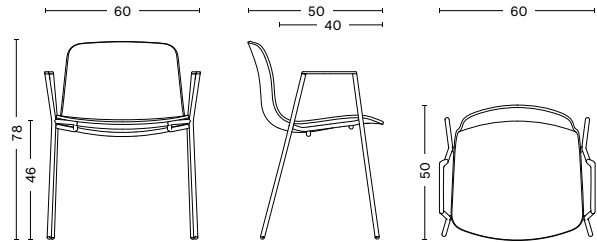
CONSTRUCTION

BASE / 4 leg base with integrated armrests in 16 mm bent steel tube. Including stacking pad in polypropylene prepared for linking device.

The armpad is mounted with two countersunk screws from underneath the steel frame armrest.

DIMENSIONS

WIDTH / 60 cm / 23.62"
DEPTH / 50 cm / 19.69"
HEIGHT / 78 cm / 30.71"
SEAT HEIGHT / 46 cm / 18.11"
SEAT DEPTH / 40 cm / 15.75"

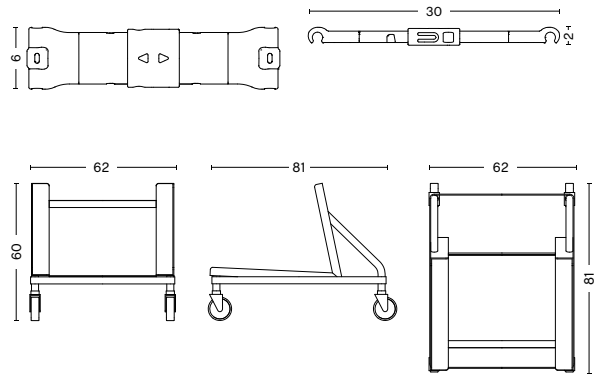


OPTIONS

CMHR FOAM / Fire retardant foam.

LINKING DEVICE / Black plastic. The chair can be premounted with brackets (black powdercoated steel) and linking device for larger orders. The linking device can only be retrofitted on new AAC frames.

AAC CHAIR TROLLEY / Black powdercoated steel. Rear wheels with brake. Suitable for transportation and storage. Max. 5 stacked upholstered chairs. We recommend using stacking mat for leather upholstery.



GLIDERS

PLASTIC GLIDER / Standard on all.

FELT TRUMPET GLIDER / For wooden floors.

TESTS

EN 16139:2013 / Furniture - Strength, durability and safety - Requirements for non-domestic seating.

L2: Extreme use - Loading according to Test severity L2.

DOWNLOADS

Packshots and lifestyle photos, 2D / 3D files, care and maintenance instructions, test certificates, product fact sheets, and product presentations are available in our Image Bank at hay.com.

[Link to downloads.](#)

NOTE

Stacking mat (PU foam black). The stacking mat is used as a protection foam for the shell during transport and is recommended to use when stacking 2 or more leathers upholstered chairs on top of each other.

HAY